



# Dodge 1999-2001

Light Duty Axle Applications



**X510-5**  
**September, 2001**

Supersedes X510-5DSD  
dated January 1999



**SPICER**<sup>®</sup>

*Drivetrain Products*

# SAFETY INFORMATION



**WARNING - Failure to follow these instructions could affect vehicle performance and/or safety and result in personal injury or death.**

- **Do not convert or alter Spicer axles except in accordance with vehicle manufacturer's instructions.**

Spicer axles are designed to meet OEM vehicle manufacturer's design and performance specifications. Improper conversion or alteration of these axles can damage the axles and/or other vehicle systems. Contact the OEM manufacturer for specific directions and guidelines.

- **Do not change axle gear ratios on vehicles with anti-lock braking systems except in accordance with the vehicle manufacturer's instructions.**

Vehicles with anti-lock braking systems may utilize sensors and tone rings within the axle housings to ensure the functioning of the anti-lock brakes. Improperly changing the axle ratios may defeat the anti-lock braking system. If changing axle ratios will require changing the location of the tone ring on the ring gear flange relative to the location of the sensor in the axle housing, contact the OEM manufacturer for specific directions and guidelines.

- **Do not reuse or substitute ring gear bolts.**

If you reuse a ring gear bolt or substitute an inferior quality bolt, the bolt may loosen or back out of its threaded hole, causing severe damage to the axle gears and other components and possibly resulting in a sudden "locking up" of the axle and loss of control of the vehicle. Always use new bolts specifically recommended for the application and install bolts using proper tools and torquing to the proper specifications.



**CAUTION - Do not substitute parts not of Spicer quality.**

Spicer axles are designed for each model vehicle, and manufactured and tested for safety and best performance. Replacement parts from other manufacturers may not be made to Spicer's rigid quality standards. To be sure you're getting Spicer quality, always use genuine Spicer parts.



**This symbol warns of possible personal injury.**

<b>How to Use This Catalog</b> .....	2
<b>General Information</b> .....	4
<b>Axle Kits</b> .....	6
<b>Model 35/194 Front</b>	
Dakota	
Exploded View & Parts Listing .....	8
Bill of Material Table .....	9
<b>Model 44/216 Front Disconnect</b>	
W1500 & W2500 Ram	
Exploded View & Parts Listing .....	12
Bill of Material Table .....	14
Variable Parts Table .....	15
<b>Model 60/248 Front Disconnect</b>	
W2500HD, W3500 & Non-ABS Air Force Tow	
Exploded View & Parts Listing .....	18
Bill of Material Table .....	20
Variable Parts Table .....	22
<b>Model 44/216 ICA Rear</b>	
Viper	
Exploded View & Parts Listing .....	26
Bill of Material Table .....	27
<b>Model 60/248 Rear</b>	
B-300 Maxivan HD	
Exploded View & Parts Listing .....	30
Bill of Material Table .....	32
Variable Parts Table .....	32
<b>Model 60/248 Rear</b>	
D2500 & W2500 Ram	
Exploded View & Parts Listing .....	34
Variable Parts Table .....	35
Bill of Material Table .....	36
<b>Model 70/267 Rear</b>	
D2500 & W2500 Ram	
Exploded View & Parts Listing .....	40
Bill of Material Table .....	42
Variable Parts Table .....	44
<b>Model 80/286 Rear</b>	
D2500, D3500, W2500 & Sweptline	
Exploded View & Parts Listing .....	46
Bill of Material Table .....	48
Variable Parts Table .....	52
<b>Shim Table</b> .....	54

# How to Use This Catalog

This catalog contains applications and part listings for front and rear axles which fit **Chrysler/Dodge** vehicles from model years **1999-2001**. For information on model years between **1967-1978**, please refer to catalog X510-8DSD; Ford model years **1979-1999** refer to X510-9. For miscellaneous models from years **1979-1984**, please refer to X510-7DSD.

The data in this publication is arranged by make, then in numerical order by model for front axles and then for rear axles. Each model contains the following three sections as appropriate:

- Parts Listing and Exploded View**

This section contains an exploded view of the axle and lists all the part numbers for those parts illustrated. The parts that do not have a common part number have a footnote reference indicating where to find the correct part number for each Bill of Material.

X510-5

## Chrysler /Dodge 60/248 Rear - Ram Parts Listing



ITEM NO.	PART NUMBER	DESCRIPTION	ITEM NO.	PART NUMBER	DESCRIPTION
1	-	Housing - Axle Service	4	343	Gear - Differential (std)
2	-	Inner Gear / Pinion Assmb	5	3473	Thrustwasher - Differential Pinion
3	706046X	KIT - Inner Pinion Bearing	26	34729	Thrustwasher - Diff Gear (std)
4	701126X	PKG - Inner Pinion Bearing Shim	27	30263	Shaft - Differential
5	45658	Collapsible Spacer	28	44810	Lock - Differential Shaft
6	706045X	KIT - Outer Pinion Bearing	29	42928	Tone Ring (ABS Only)
7	42737	Thrustwasher	30	-(2)	Bolt - Brake Mounting
8	-(2)	Seal - Pinion	31	-(2)	Nut - Brake Mounting
9	-(2)	Slinger - End Yoke	32	-(2)	Seal - Hub

- Bill of Material Table**

This section contains vehicle applications listed in order by year. Included in the table are the major kits and assemblies for each Bill of Material number.



## Chrysler /Dodge 60/248 Rear - Ram Variable Parts Listing

X510-5

Kits & Parts - Use With All Applications						
Description & Item Number (Refer to "Exploded view" at the front of this section)	Bills of Material					
	60617	60618	60616	60617	606239	
1 Seal - Pinion	8	4249	4249	4249	47885	
2 Slinger - End Yoke	9	34392	34592	34592	50251	
3 End Yoke Assembly (inc 9)	1	3-4-11891-1X	3-4-11891-1X	3-4-11891-1X	3-4-11851-1	
4 KIT - Carrier Cover	-	707353X	707354X	707353X	707354X	
5 Carrier Cover	13	46292-1	46292-2	46292-1	46292-2	
6 Bolt - Brake Mounting	30	48835	48835	48835	48835	
7 Nut - Brake Mounting	31	48836	48836	48836	48836	
8 Seal - Hub	32	43146	43146	47507	43146	

• **Variable Parts Table**

This section contains the individual part numbers that vary by Bill of Material number for a given model.

X510-5

## Chrysler /Dodge 60/248 Rear - Ram Bill of Material Table



Axle			Axle Kits				Shaft & Joint Assy.	
Bill of Material	Diff. Type	Ratio	Ring Gear & Pinion Kit (7)	Differential			Right Hand Shaft Assy.	Left Hand Shaft Assy.
				Case Assy. Kit	Case Kit	Inner Parts Kit		
<b>1999 D2500</b>								
606146-1	Standard	3.55	708009-1	708010	708011	706043X	43965-4	43965-4
606146-2	Trac Lok	4.10	708009-2	708013	708014	707084X	43965-4	43965-4
<b>1999 W2500</b>								
606147-1	Standard	3.55	708009-1	708010	708011	706043X	43965-4	43965-4
606147-2	Trac Lok	4.10	708009-2	708013	708014	707084X	43965-4	43965-4
<b>2000 D2500 w/ABS</b>								
606147-1	Standard	3.55	708009-1	708010	708011	706043X	43965-4	43965-4

**Note:** Additional information on Spicer axles can be found in our General Information catalog number XGI. It contains the following sections:

- Bill of Material Numerical Listing
- Ring and Pinion Kits
- Differential Case Assembly Kits
- Axle Shaft Dimension and Components

# General Information

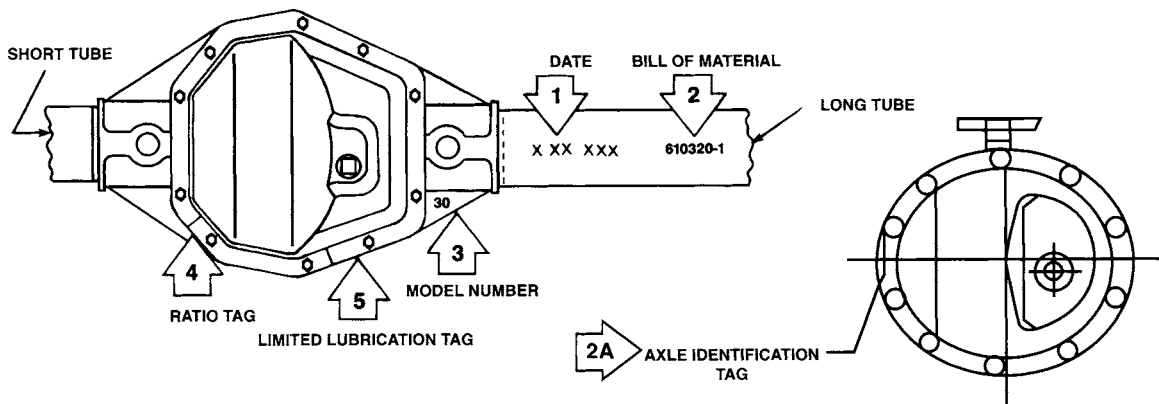
## How To Identify A Spicer Axle

All Spicer Carrier Type axles are identified with a manufacturing date (1) and Bill of Material number (2) stamped on the right or left hand tube on driving axles. The Bill of Material number may also be found on the carrier in some models as shown in illustration (2A). For independent front suspension (IFS) axles, the B/M number may be located at one of three locations: 1) A vertically positioned tag near the center of the right hand side support arm, 2) stamped into the left hand side support arm (opposite end of the camber adjuster), or 3) stamped into the "nose end" of the axle carrier. The location of the information will depend on the manufacturing date of the axle.

The axle model number will be cast into one of the webs as shown (3), or it can be on the nose.

Each axle contains a gear ratio tag (4), and if the axle is equipped with a limited slip differential, it will have a tag specifying the type of limited slip lubricant to be used (5).

Refer to the appropriate model number section for parts identification and a breakdown of the Bill of Material.



## How To Change Gear Ratios

To increase or decrease a gear ratio, there are certain steps that must be taken. The differential case depends upon the ratio desired. For each axle model, there is a high-ratio and a low-ratio case as illustrated below:

Axle Model	Low Ratio Case	High Ratio Case	Axle Model	Low Ratio Case	High Ratio Case
Model 27	3.73 and Down	3.92 and Up	Model 50	4.10 and Down .....	—
Model 28	3.45 and Down	3.73 and Up	Model 60	4.10 and Down ....	4.56 and Up
Model 28 IFS Aerostar	2.27, 3.73	—	Model 61	Semi Float 3.00 and 3.07 only	
Model 30	3.55 and Down	3.73 and Up	Model 61	Full Float 3.31 and Down .... 3.54 and Up	
Model 35	2.35 only	—	Model 70	4.10 and Down ....	4.56 and Up
Model 35	2.73 - 3.31	3.54 and Up	Model 70-3HD	3.42 and Down ....	3.73 and Up
Model 36 ICA	2.73 and Down	3.07 and Up	Model 70-2UA	3.07 only .....	—
Model 44	3.73 and Down	3.92 and Up	Model 80	3.73 and Down ....	4.10 and Up
Model 44 ICA					
1984 & earlier	3.73 and Down	3.92 and Up			
Model 44 ICA					
1985 & later	2.87 and Down	3.07 and Up			

Example - If you have a model 44 Rear Axle with a 3.54 ratio and wish to change to a 3.73 ratio, you change only the ring gear and pinion assembly. If you change the ratio to a 4.09, you must change to a high-ratio case in addition to changing the ring gear and pinion. The application section will show you what case to use. When the vehicle is equipped with both front and rear driving axles, the gear ratios must be the same in both axles. The drive gear screws are self-locking and must be replaced with new screws each time that they are removed.

### How Limited Slip Differentials Operate

A conventional differential transmits all the ring gear torque through the differential gears to the axle shafts. Torque is at all times equal on the axle shafts, and if one wheel slips, the other wheel can only put out as much torque as the slipping wheel.

The Spicer Limited Slip differential has the same power flow as a conventional differential, plus a more direct flow which automatically takes effect as driving conditions demand. This more direct power flow is from the differential case to each axle shaft through a clutch plate and disc arrangement.

Arrangement of these plates and discs is at the option of the vehicle manufacturer, so care should be taken during disassembly to note the arrangement of these components.

The Limited Slip construction permits differential action when required for turning corners and transmits equal torque to both wheels when driving straight ahead. However, when one wheel tries to spin due to leaving the ground, a patch of ice, etc., the clutch packs automatically provide more torque to the wheel which is not trying to spin.

The Limited Slip differential resists wheel spin on bumpy roads and provides more pulling power when one wheel tries to slip. In many cases of differences in traction, pulling power will be automatically provided until both wheels start to slip.

In diagnosis of vehicle operators' complaints, it is important to recognize two things.

1. If, with unequal traction, both wheels slip, the Limited Slip Differential has done all it can possibly do.
2. In extreme cases of differences in traction, the wheel with the least traction may spin after the Limited Slip has transferred as much torque as possible to the non-slipping wheel.

### How To Distinguish a Powr-Lok™ from a Trac-Lok™

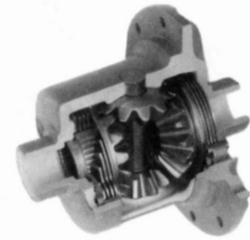
All Models **except Model 80 /286**: The Powr-Lok design is identified by its 2-piece case. The Trac-Lok design is identified by its 1-piece case.

**Model 80 /286 only**: Both the Powr-Lok and the Trac-Lok use 2-piece cases in the model 80 (286) axle. The difference between the two is in the shape of the holes for the cross shaft. The Powr-Lok case will have cross shaft holes that are "U" shaped in one case half and "V" shaped in the other case half. The Trac-Lok case will have cross shaft holes that are semicircles in both case halves.

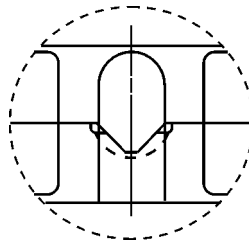
It is also possible to replace an existing Powr-Lok unit with a complete Trac-Lok unit. For this purpose, the differential case assembly must be replaced.



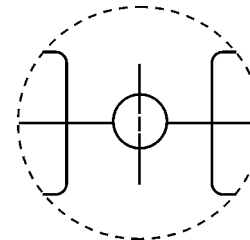
**POWR-LOK™**  
2-Piece Case  
4 Pinion Mate Gears



**TRAC-LOK™**  
1 or 2-Piece Case  
2 Pinion Mate Gears



Cross shaft view  
of a Model 80  
Powr-Lok case



Cross shaft view  
of a Model 80  
Trac-Lok case

### How To Obtain Special Service Tools

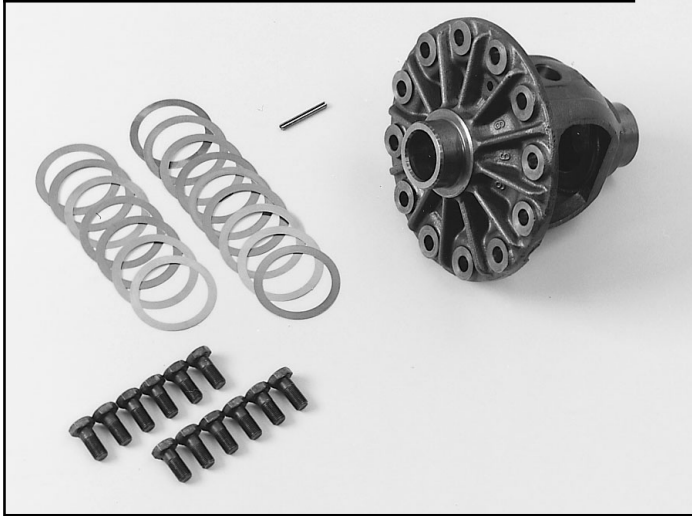
Special service tools (see service manuals) can be obtained from the following company:

Kent-Moore  
OE Tool and Equipment Group  
SPX Corporation  
28635 Mound Road  
Warren MI 48092-3499  
(800) 345-2233

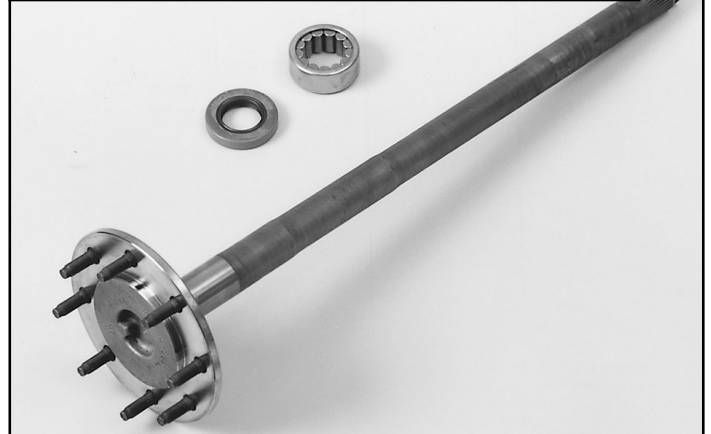


# Light Axle Kits

**DIFFERENTIAL CASE KIT**



**SHAFT ASSEMBLY KIT**



**DRIVE PINION & GEAR ASSEMBLY KIT**



**DIFFERENTIAL CASE ASSEMBLY KIT**



**CARRIER COVER KIT**



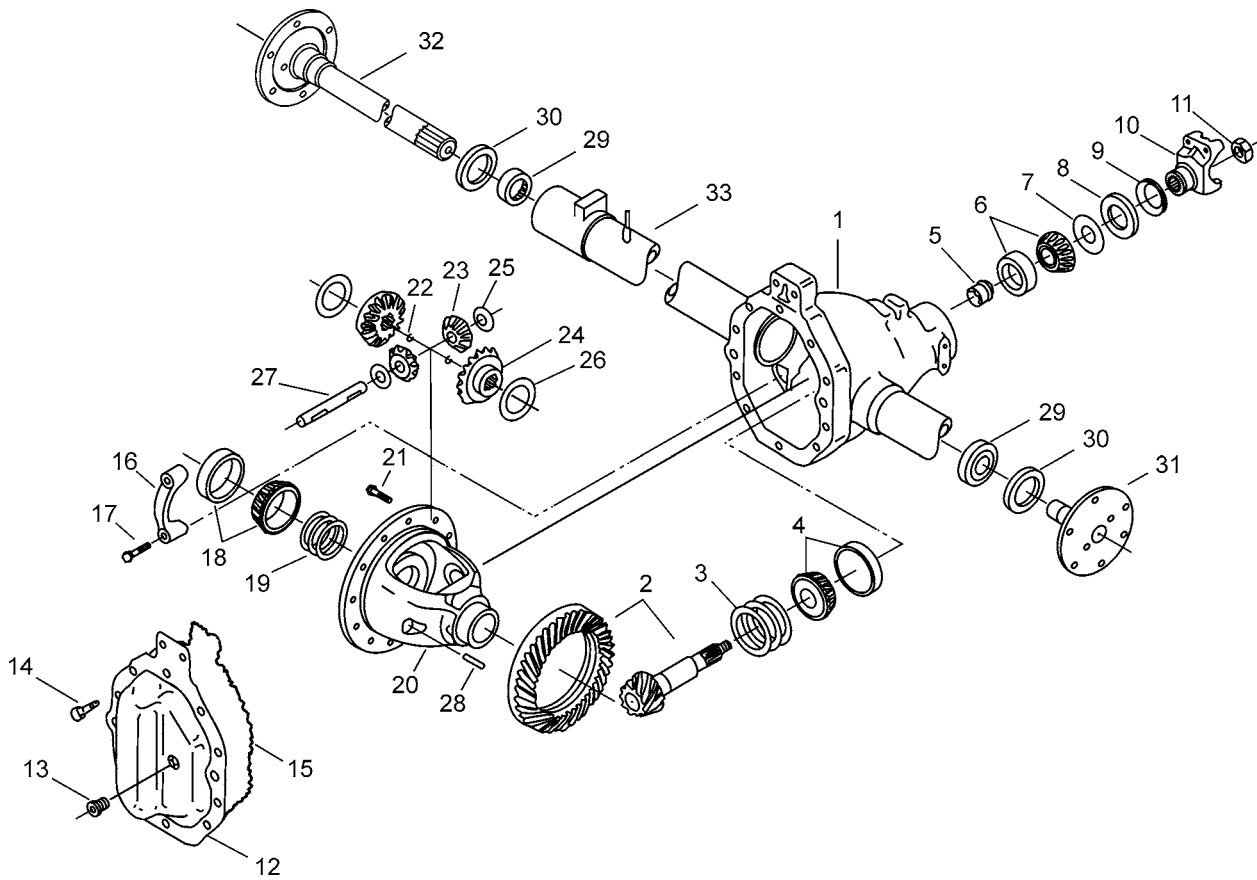
**DIFFERENTIAL INNER PARTS KIT**





# **Model 35 /194 Front Axles for Dakota and Durango**

# Chrysler/Dodge 35/194 Front Exploded View



# Chrysler/Dodge 35/194 Front Parts Listing



ITEM NO.	PART NUMBER	DESCRIPTION	ITEM NO.	PART NUMBER	DESCRIPTION
1	-(3)	Housing - Axle Service	17	40284-1	Bolt - Differential Bearing Cap
2	-(1)	Drive Pinion & Gear Assembly	18	706016X	Differential Bearing Kit
3	701130X	PKG - Inner Pinion Shim	19	701004X	PKG - Differential Bearing Shim
4	707162X	KIT - Inner Pinion Bearing	20	-(1)	Case - Differential (std)
5	42102	Collapsible Spacer	21	41221	Bolt - Drive Gear (qty 10)
6	706894X	KIT - Outer Pinion Bearing	22	42570	Snap Ring
7	42778	Slinger - Outer Pinion Bearing	23	46504	Pinion - Differential
8	48009	Seal - Pinion Oil	24	47559	Gear - Differential
9	48008	Seal - End Yoke	25	34096	Thrustwasher - Differential Pinion
10	2-4-8131-1	End Yoke	26	34095	Thrustwasher - Differential Gear
11	44189	Pinion Nut	27	41648	Shaft - Differential Pinion
	707438X	KIT - Carrier Cover	28	13449	Roll Pin - Differential Shaft
12	-(4)	Carrier Cover	29	565977	Bearing
13	41356	Plug - Carrier Cover	30	46485	Oil Seal
14	40286-5	Bolt - Carrier Cover (qty 10)	31	47067	Axle Shaft (LH)
15	38615	RTV Silicone Sealant	32	47065	Axle Shaft (RH)
16	-(3)	Differential Bearing Cap	33	41962	Vent - Axle Shaft (RH)

- (1) See "Bill of Material Table" below  
 (2) See "Variable Parts Table" within this section  
 (3) Contact Vehicle Manufacturer  
 (4) Not Sold Separately  
 N.I. = Not Illustrated

## Bill of Material Table

Axle			Axle Kits				Shaft & Joint Assy.	
Bill of Material	Diff. Type	Ratio	Ring Gear & Pinion Kit <sup>(7)</sup>	Differential			Right Hand Shaft Assy.	Left Hand Shaft Assy.
				Case Assy. Kit <sup>(8)</sup>	Case Kit	Inner Parts Kit		
<b>1997-99 Dakota &amp; Durango</b>								
610576-1	Standard	3.21	75812-5X	75935X	47071	707436X		
610576-2	Standard	3.55	74346-5X	75934X	47069	707436X		
610576-3	Standard	3.92	75813-5X	75934X	47069	707436X		
610576-4	Standard	3.21	75812-5X	75935X	47071	707436X		
610576-5	Standard	3.55	74346-5X	75934X	47069	707436X		
610576-6	Standard	3.92	75813-5X	75934X	47069	707436X		

NOTE: All Ring & Pinion Kits with base number 706930 are reverse spiral bevel

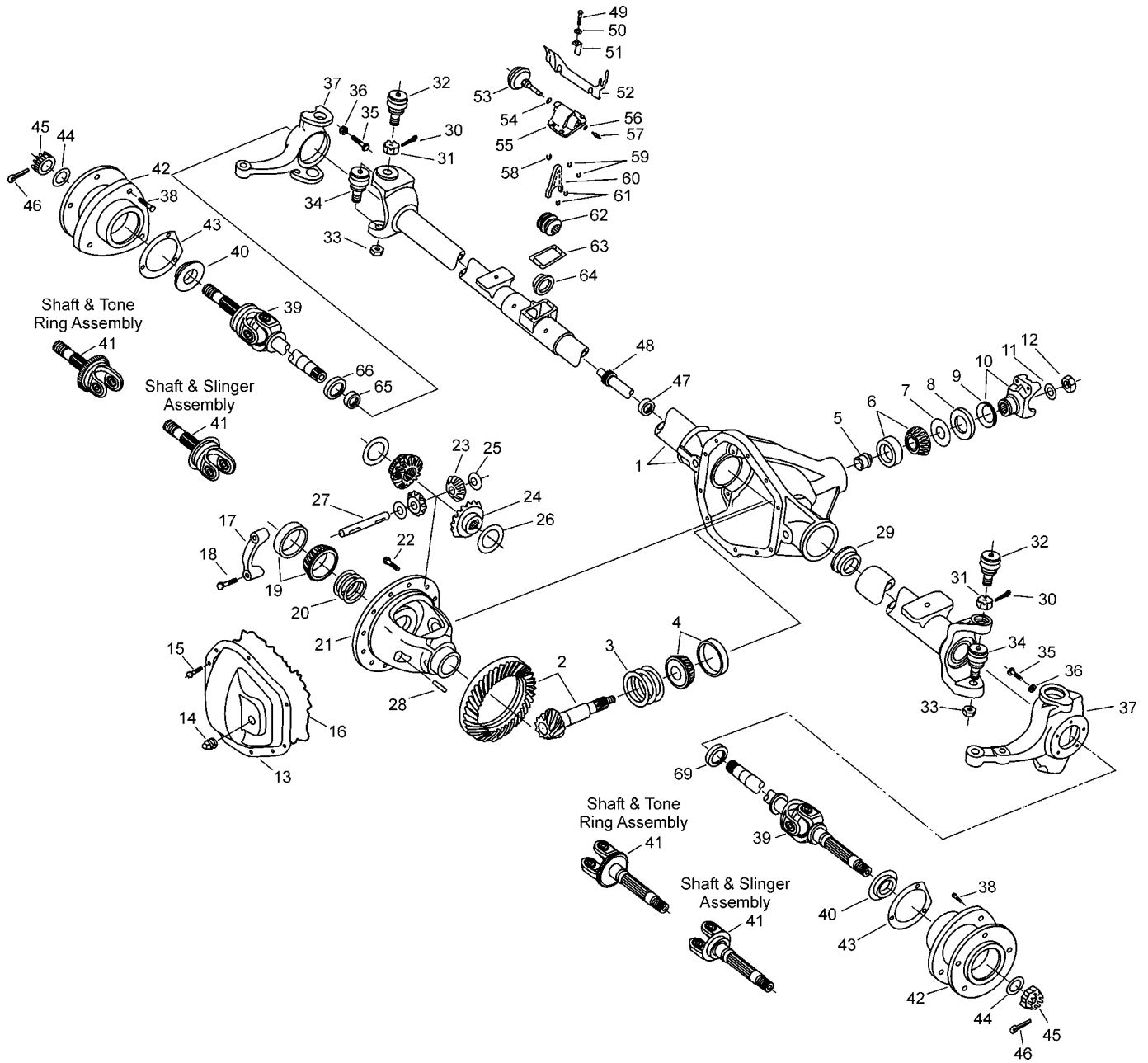
(7) See Ring Gear & Pinion Kits in XGI Catalog for ratio & tooth combinations.

(8) See Differential Case Assy Kits in XGI Catalog for spline data & ratios.



**Model 44 /216  
Front Disconnect Axles for  
W1500 & W2500 Ram**

# Chrysler/Dodge 44/216 Disconnect Front Exploded View





# Chrysler/Dodge 44/216 Disconnect Front Parts Listing



ITEM NO.	PART NUMBER	DESCRIPTION	ITEM NO.	PART NUMBER	DESCRIPTION
1	-(3)	Housing - Axle Service	35	-(2)	Stop Screw
2	-(1)	Drive Pinion & Gear Assembly	36	-(2)	Jam Nut
3	701112X	PKG - Inner Pinion Bearing Shim	37	-(3)	Knuckle (RH)
4	706015X	KIT - Inner Pinion Bearing		-(3)	Knuckle (LH)
5	44896	Collapsible Spacer	38	44993-1	Bolt - Knuckle (if required)
6	706030X	KIT - Outer Pinion Bearing	39	-(1)	Shaft & Joint Assembly
7	13575	Slinger - Outer Pinion Bearing	40	45942	Slinger
8	-(2)	Seal - Pinion Oil	41	-(2)	Shaft & Slinger/Tone Ring Assy.
9	-(2)	Seal - End Yoke	42	-(3)	Hub Assembly
10	-(2)	End Yoke Assembly (inc 9)	43	-(2)	Spacer - Flat
11	30186	Washer - Pinion Nut	44	45523	Washer - Flat
12	30185	Pinion Nut	45	46085	Slotted Nut
	707192X	KIT - Carrier Cover (inc 13,14,15)	46	500025-10	Cotter Pin
13	-(4)	Carrier Cover	47	50429(6)	Bushing - Synthetic
14	36472	Plug - Carrier	48	45770	Output Shaft
15	34279	Bolt - Carrier Cover (qty 10)		75265X	KIT - Front Axle Shaft (inc 48, 65)
16	38615	RTV Silicone Sealant	49	500396-10	Bolt - Disconnect Assembly
17	-(3)	Differential Bearing Cap	50	500357-9	Lock Washer
18	48632-1	Bolt - Diff Bearing Cap	51	-(3)	Brake Line Clip
19	706032X	KIT - Differential Bearing	52	43424	Protection Shield
20	706086X	PKG - Differential Bearing Shim		-(3)	Cover & Motor Assembly (inc 53,54,55,56,57,58,59,60,61)
21	-(1)	Case - Differential			Motor Assembly
22	41221	Bolt - Drive Gear (qty 10)	53	-(4)	O-Ring
23	45872	Pinion - Differential	54	-(4)	Cover - Housing
24	45870	Gear - Differential	55	-(4)	O-Ring
25	13338-3	Thrustwasher - Differential Pinion	56	-(4)	Switch Assembly
26	32121	Thrustwasher - Differential Gear	57	-(4)	Snap Ring
27	39194	Shaft - Differential	58	-(4)	Snap Ring
28	13449	Lock - Differential Shaft	59	-(4)	Snap Ring
29	48489	Seal - Tube (left side)	60	-(4)	Shift Fork
	-(2)	KIT - Socket Assembly (inc items 30, 31, 32, 33, 34)	61	-(4)	Clip
30	500024-6	Cotter Pin	62	46401	Clutch Collar
31	40584	Slotted Nut	63	41494	Gasket
32	40916	Upper Socket	64	48488	Seal - Tube (right side)
33	-(2)	Lock Nut	65	43337	Bushing
34	-(2)	Lower Socket	66	50382	Oil Seal

(1) See "Bill of Material Table" on next page

(2) See "Variable Parts Table" within this section

(3) Contact Vehicle Manufacturer

(4) Not Sold Separately

(5) Bearing Assembly 566008 was used in older models and is still available for service.

# Chrysler/Dodge 44/216 Disconnect Front Bill of Material Table

Axle			Axle Kits				Shaft & Joint Assy.	
Bill of Material	Diff. Type	Ratio	Ring Gear & Pinion Kit <sup>(7)</sup>	Differential			Right Hand Shaft Assy.	Left Hand Shaft Assy.
				Case Assy. Kit <sup>(8)</sup>	Case Kit	Inner Parts Kit		
<b>1999 W1500</b>								
610786-1	Standard	3.54	707338-1X	707021-1X	706024X	707025-1X	76812-1X	76813-1X
610786-2	Standard	3.92	707338-2X	707022-1X	706025X	707025-1X	76812-1X	76813-1X
610787-1	Standard	3.54	707338-1X	707021-1X	706024X	707025-1X	76812-1X	76813-1X
610787-2	Standard	3.92	707338-2X	707022-1X	706025X	707025-1X	76812-1X	76813-1X
610826-1	Standard	3.54	707338-1X	707021-1X	706024X	707025-1X	76812-1X	76813-1X
610826-2	Standard	3.92	707338-2X	707022-1X	706025X	707025-1X	76812-1X	76813-1X
610827-1	Standard	3.54	707338-1X	707021-1X	706024X	707025-1X	76812-1X	76813-1X
610827-2	Standard	3.92	707338-2X	707022-1X	706025X	707025-1X	76812-1X	76813-1X
610834-1	Standard	3.54	707338-1X	707021-1X	706024X	707025-1X	708060	708061
610834-2	Standard	3.92	707338-2X	707022-1X	706025X	707025-1X	708060	708061
610835-1	Standard	3.54	707338-1X	707021-1X	706024X	707025-1X	708060	708061
610835-2	Standard	3.92	707338-2X	707022-1X	706025X	707025-1X	708060	708061
<b>2000 W1500</b>								
610800-1	Standard	3.54	707338-1X	707021-1X	706024X	707025-1X	76812-1X	76813-1X
610800-2	Standard	3.92	707338-2X	707022-1X	706025X	707025-1X	76812-1X	76813-1X
610801-1	Standard	3.54	707338-1X	707021-1X	706024X	707025-1X	76812-1X	76813-1X
610801-2	Standard	3.92	707338-2X	707022-1X	706025X	707025-1X	76812-1X	76813-1X
610847-1	Standard	3.54	707338-1X	707021-1X	706024X	707025-1X	708060	708061
610847-2	Standard	3.92	707338-2X	707022-1X	706025X	707025-1X	708060	708061
610847-3	Standard	4.10	707338-5X	707021-1X	706024X	707025-1X	708060	708061
610848-1	Standard	3.54	707338-1X	707021-1X	706024X	707025-1X	708060	708061
610848-2	Standard	3.92	707338-2X	707021-1X	706024X	707025-1X	708060	708061
610938-1	Standard	3.54	707338-1X	707021-1X	706024X	707025-1X	708060	708061
610938-2	Standard	3.92	707338-2X	707022-1X	706025X	707025-1X	708060	708061
610939-1	Standard	3.54	707338-1X	707021-1X	706024X	707025-1X	708060	708061
610939-2	Standard	3.92	707338-2X	707022-1X	706025X	707025-1X	708060	708061
<b>2000 W1500 Off Road Axle</b>								
610911-1	Standard	4.10	707338-5X	707021-1X	706024X	707025-1X	708060	708061
610940-1	Standard	4.10	707338-5X	707021-1X	706024X	707025-1X	708060	708061
<b>2000-01 W1500</b>								
611048-1	Standard	3.54	707338-1X	707021-1X	706024X	707025-1X	708060	708061
611048-2	Standard	3.92	707338-2X	707022-1X	706025X	707025-1X	708060	708061
611049-1	Standard	3.54	707338-1X	707021-1X	706024X	707025-1X	708060	708061
611049-2	Standard	3.92	707338-2X	707022-1X	706025X	707025-1X	708060	708061
611050-1	Standard	4.10	707338-5X	707021-1X	706024X	707025-1X	708060	708061
<b>2001 W1500</b>								
611149-1	Standard	3.54	707338-1X	707021-1X	706024X	707025-1X	708060	708061
611149-2	Standard	3.92	707338-2X	707022-1X	706024X	707025-1X	708060	708061
611150-1	Standard	3.54	707338-1X	707021-1X	706024X	707025-1X	708060	708061
611150-2	Standard	3.92	707338-2X	707022-1X	706025X	707025-1X	708060	708061
611151-1	Standard	4.10	707338-5X	707021-1X	706024X	707025-1X	708060	708061

(7) See Ring Gear & Pinion Kits in XGI Catalog for ratio & tooth combinations.

(8) See Differential Case Assy Kits in XGI Catalog for spline data & ratios.

# Chrysler/Dodge 44/216 Disconnect Front Variable Parts Listing



Kits & Parts - Use With All Applications							
Description & Item Number (Refer to the "Exploded View" at the front of this section)			Bills of Material				
			610786	610787	610800 610801	610826	610827
1	Seal - Pinion Oil	8	44895	44895	47761	44895	44895
2	Seal - End Yoke	9	232549	232549	47762	232549	232549
3	End Yoke Assembly (inc 9)	10	2-4-7651-1X	2-4-7651-1X	- (10)	2-4-7651-1X	2-4-7651-1X
4	KIT - Socket Assembly	-	707315X	707315X	707315X	707315X	707315X
5	Lock Nut	33	35566	35566	35566	35566	35566
6	Lower Socket	34	40113	40113	40113	40113	40113
7	Stop Screw	35	31026-3	31026-3	-	31026-3	31026-3
8	Jam Nut	36	49270	49270	-	49270	49270
9	Shaft & Tone Ring/Slinger Assembly	41	74917X (11)	74917X (11)	74917X (11)	74917X (11)	74917X (11)
10	Spacer - Flat	43	44997	48352	-	44997	48352
			<b>610834</b>	<b>610835</b>	<b>610847 610848</b>	<b>610911 610938</b>	<b>610939</b>
1	Seal - Pinion Oil	8	44895	44895	50092	50092	50092
2	Seal - End Yoke	9	232549	232549	47762	47762	47762
3	End Yoke Assembly (inc 9)	10	2-4-7651-1X	2-4-7651-1X	2-4-8431-1	2-4-8431-1	2-4-8431-1
4	KIT - Socket Assembly	-	707315X	707315X	708072	708072	708072
5	Lock Nut	33	35566	35566	50153	50153	50153
6	Lower Socket	34	40113	40113	50154	50154	50154
7	Stop Screw	35	31026-3	31026-3	-	49501	-
8	Jam Nut	36	49270	49270	-	-	-
9	Shaft & Slinger Assembly	41	80566	80566	80566	80566	80566
10	Spacer - Flat	43	44997	48352	-	-	-
			<b>610940</b>	<b>611149</b>			
			<b>611048</b>	<b>611150</b>			
			<b>611049</b>	<b>611151</b>			
			<b>611050</b>				
1	Seal - Pinion Oil	8	50092	50092			
2	Seal - End Yoke	9	47762	47762			
3	End Yoke Assembly (inc 9)	10	2-4-8431-1	2-4-8431-1			
4	KIT - Socket Assembly	-	708072	708072			
5	Lock Nut	33	50153	50153			
6	Lower Socket	34	50154	50154			
7	Stop Screw	35	49501	50752			
8	Jam Nut	36	-	-			
9	Shaft & Slinger Assembly	41	80566	80566			
10	Spacer - Flat	43	-	-			

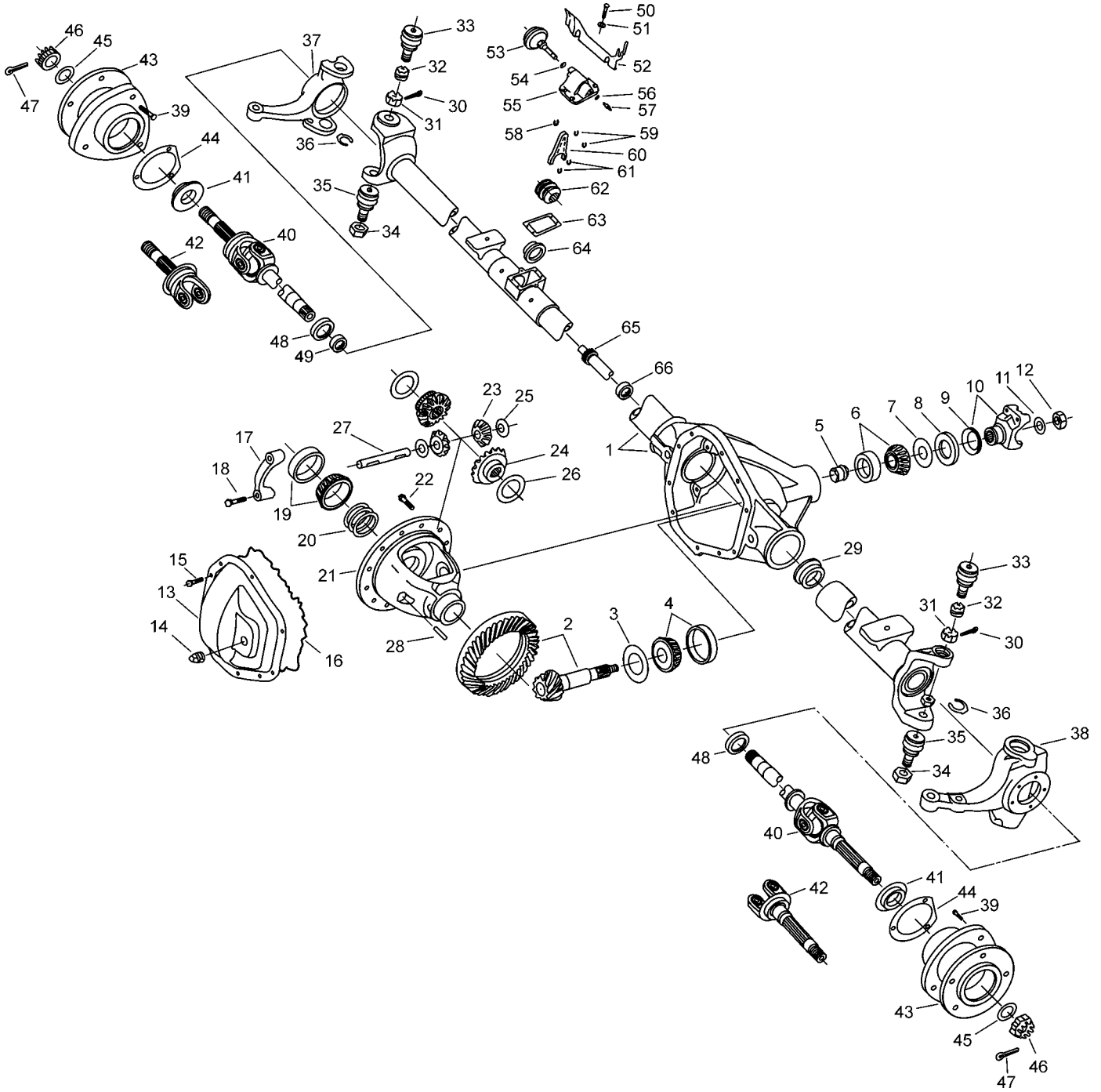
(10) 7290 Series used in vehicle. Service 1330 Series using 2-4-8431-1, 5-637X and 2-70-18X

(11) 74917X is used in some non-ABS applications; check tone ring for interference fit.



**Model 60 /248  
Front Disconnect Axles for  
W2500HD, W3500 &  
Non-ABS Air Force Tow Vehicle**

# Chrysler/Dodge 60/248 Front Disconnect Exploded View





# Chrysler/Dodge 60/248 Front Disconnect Parts Listing

ITEM NO.	PART NUMBER	DESCRIPTION	ITEM NO.	PART NUMBER	DESCRIPTION
1	-(3)	Housing - Axle Service	34	-(2)	Lock Nut
2	-(1)	Drive Pinion & Gear Assembly	35	-(2)	Lower Socket
3	701126X	PKG - Inner Pinion Bearing Shim	36	-(2)	Snap Ring
4	706046X	KIT - Inner Pinion Bearing	37	-(3)	Knuckle (RH)
5	45658	Collapsible Spacer	38	-(3)	Knuckle (LH)
6	706045X	KIT - Outer Pinion Bearing	39	-(2)	Bolt - Knuckle/Hub
7	42737	Thrustwasher - Bearing	40	-(1)	Shaft & Joint Assembly
8	-(2)	Seal - Pinion Oil	41	-(4)	Slinger
9	-(2)	Seal - End Yoke	42	-(2)	Outer Shaft & Slinger Assembly
10	-(2)	End Yoke Assy (inc 9) or Flange	43	-(3)	Hub Assembly
11	30275	Washer - Pinion Nut	44	-(2)	Spacer - Flat
12	30271	Pinion Nut	45	45523	Washer - Flat
	-(2)	KIT-Carrier Cover (inc 13,14,15,16)	46	46085	Nut - Slotted
13	-(4)	Carrier Cover	47	500025-10	Cotter Pin
14	43180	Plug - Carrier Cover	48	-(2)	Oil Seal - Outer Tube
15	34822	Bolt - Carrier Cover (qty 10)	49	43337	Bushing
16	38615	RTV Silicone Sealant	50	500396-10	Bolt - Disconnect Assembly
17	-(3)	Differential Bearing Cap	51	500357-9	Lockwasher - Disconnect Assembly
18	48632-1	Bolt - Differential Bearing Cap	52	43424	Protection Shield
19	706047X	KIT - Differential Bearing		-(3)	Disconnect Cover & Motor Assembly
20	708012	PKG - Diff & Pinion Bearing Shim	53	-(4)	Motor Assembly
21	-(1)	Case - Differential	54	-(4)	O-Ring
22	40638	Bolt - Drive Gear (qty 12)	55	-(4)	Cover - Housing
23	-(2)	Pinion - Differential	56	-(4)	O-Ring
24	-(2)	Gear - Differential	57	-(4)	Switch Assembly
25	34730	Thrustwasher - Differential Pinion	58	-(4)	Snap Ring
26	-(2)	Thrustwasher - Differential Gear	59	-(4)	Snap Ring
27	30263	Shaft - Differential	60	-(4)	Shift Fork
28	44810	Lock - Differential Shaft	61	-(4)	Clip
29	-(2)	Seal - Tube (Left Side)	62	-(2)	Clutch Collar
	-(2)	KIT - Socket Assembly	63	41494	Gasket
30	500024-9	Cotter Pin	64	-(2)	Seal - Tube (right side)
31	-(2)	Nut - Slotted	65	-(2)	Output Shaft
32	-(2)	Bushing - 0° Caster	66	-(2)	Bearing Assy or Synthetic Bushing
33	-(2)	Upper Socket			

- (1) See "Bill of Material Table" on next page  
(2) See "Variable Parts Table" within this section  
(3) Contact Vehicle Manufacturer  
(4) Not Sold Separately

# Chrysler/Dodge 60/248 Front Disconnect Bill of Material Table

Axle			Axle Kits				Shaft & Joint Assy.	
Bill of Material	Diff. Type	Ratio	Ring Gear & Pinion Kit <sup>(7)</sup>	Differential			Right Hand Shaft Assy.	Left Hand Shaft Assy.
				Case Assy. Kit <sup>(8)</sup>	Case Kit	Inner Parts Kit		
<b>1999 Air Force Tow Vehicle</b>								
610832-1	Standard	7.17	707345-3X	706037X	706041X	706043X	76471X	76472X
<b>1999 D3500 (Dead Front)</b>								
610840								
<b>1999 D3500 (Dead Front) w/ABS</b>								
610831								
<b>1999 W2500 HD</b>								
610788-1	Standard	3.54	708009-1	707339-1X	706040X	707340-1X	76471X	76472X
610788-2	Standard	4.10	708009-2	707339-1X	706040X	707340-1X	76471X	76472X
610828-1	Standard	3.54	708009-1	707339-1X	706040X	707340-1X	76471X	76472X
610828-2	Standard	4.10	708009-2	707339-1X	706040X	707340-1X	76471X	76472X
<b>1999 W2500 HD w/ABS</b>								
610829-1	Standard	3.54	708009-1	707339-1X	706040X	707340-1X	76471X	76472X
610829-2	Standard	4.10	708009-2	707339-1X	706040X	707340-1X	76471X	76472X
<b>1999 W3500</b>								
610789-1	Standard	3.54	708009-1	707339-1X	706040X	707340-1X	76471X	76472X
610789-2	Standard	4.10	708009-2	707339-1X	706040X	707340-1X	76471X	76472X
610791-1	Standard	3.54	708009-1	707339-1X	706040X	707340-1X	76471X	76472X
610791-2	Standard	4.10	708009-2	707339-1X	706040X	707340-1X	76471X	76472X
610830-1	Standard	3.54	708009-1	707339-1X	706040X	707340-1X	76471X	76472X
610830-2	Standard	4.10	708009-2	707339-1X	706040X	707340-1X	76471X	76472X
<b>2000 Air Force Tow Vehicle</b>								
610899-1	Standard	7.17	707345-3X	708048-1	706041X	708049	708063	708064
<b>2000 D3500 (Dead Front)</b>								
610898								
611058								
611079								
<b>2000 D3500 (Dead Front) w/ABS</b>								
610839								
610943								
611057								
610794								
611078								
<b>2000 W2500 HD</b>								
610836-1	Standard	3.54	708009-1	708048	706040X	708049	708063	708064
610836-2	Standard	4.10	708009-2	708048	706040X	708049	708063	708064
611075-1	Standard	3.54	708009-1	708048	706040X	708049	708063	708064
611075-2	Standard	4.10	708009-2	708048	706040X	708049	708063	708064
<b>2000 W2500 HD w/ABS</b>								
610837-1	Standard	3.54	708009-1	708048	706040X	708049	708063	708064
610837-2	Standard	4.10	708009-2	708048	706040X	708049	708063	708064
610941-1	Standard	3.54	708009-1	708048	706040X	708049	708063	708064
610941-2	Standard	4.10	708009-2	708048	706040X	708049	708063	708064
611076-1	Standard	3.54	708009-1	708048	706040X	708049	708063	708064
611076-2	Standard	4.10	708009-2	708048	706040X	708049	708063	708064

(7) See Ring Gear & Pinion Kits in XGI Catalog for ratio & tooth combinations.

(8) See Differential Case Assy Kits in XGI Catalog for spline data & ratios.

# Chrysler/Dodge 60/248 Front Disconnect

## Bill of Material Table

Bill of Material	Axle		Ring Gear & Pinion Kit <sup>(7)</sup>	Axle Kits			Shaft & Joint Assy.	
	Diff. Type	Ratio		Differential			Right Hand Shaft Assy.	Left Hand Shaft Assy.
				Case Assy. Kit <sup>(8)</sup>	Case Kit	Inner Parts Kit		
<b>2000 W3500</b>								
610838-1	Standard	3.54	708009-1	708048	706040X	708049	708063	708064
610838-2	Standard	4.10	708009-2	708048	706040X	708049	708063	708064
610942-1	Standard	3.54	708009-1	708048	706040X	708049	708063	708064
610942-2	Standard	4.10	708009-2	708048	706040X	708049	708063	708064
611077-1	Standard	3.54	708009-1	708048	706040X	708049	708063	708064
611077-2	Standard	4.10	708009-2	708048	706040X	708049	708063	708064
<b>2000-01 W2500 Air Force Tow Vehicle</b>								
611059-1	Standard	7.17	707345-3X	708048-1	706041X	708049	708063	708064
<b>2000-01 W2500 HD</b>								
611054-1	Standard	3.54	708009-1	708048	706040X	708049	708063	708064
611054-2	Standard	4.10	708009-2	708048	706040X	708049	708063	708064
<b>2000-01 W2500 HD w/ABS</b>								
611055-1	Standard	3.54	708009-1	708048	706040X	708049	708063	708064
611055-2	Standard	4.10	708009-2	708048	706040X	708049	708063	708064
<b>2000-01 W3500</b>								
611056-1	Standard	3.54	708009-1	708048	706040X	708049	708063	708064
611056-2	Standard	4.10	708009-2	708048	706040X	708049	708063	708064
<b>2001 D3500 (Dead Front)</b>								
611157								
<b>2001 D3500 (Dead Front) w/ABS</b>								
611156								
<b>2001 W2500 HD</b>								
611153-1	Standard	3.54	708009-1	708048	706040X	708049	708063	708064
611153-2	Standard	4.10	708009-2	708048	706040X	708049	708063	708064
<b>2001 W2500 HD w/ABS</b>								
611154-1	Standard	3.54	708009-1	708048	706040X	708049	708063	708064
611154-2	Standard	4.10	708009-2	708048	706040X	708049	708063	708064
<b>2001 W3500</b>								
611155-1	Standard	3.54	708009-1	708048	706040X	708049	708063	708064
611155-2	Standard	4.10	708009-2	708048	706040X	708049	708063	708064
<b>2001 1/2 D3500 (Dead Front)</b>								
611172								
<b>2001 1/2 W2500 HD</b>								
611176-1	Standard	3.54	708009-1	708048	706040X	708049	708063	708064
611176-2	Standard	4.10	708009-2	708048	706040X	708049	708063	708064
<b>2001 1/2 W2500 HD w/ABS</b>								
611173-1	Standard	3.54	708009-1	708048	706040X	708049	708063	708064
611173-2	Standard	4.10	708009-2	708048	706040X	708049	708063	708064
<b>2001 1/2 W3500</b>								
611174-1	Standard	3.54	708009-1	708048	706040X	708049	708063	708064
611174-2	Standard	4.10	708009-2	708048	706040X	708049	708063	708064
<b>2001 1/2 D3500 (Dead Front) w/ABS</b>								
611175								

(7) See Ring Gear &amp; Pinion Kits in XGI Catalog for ratio &amp; tooth combinations.

(8) See Differential Case Assy Kits in XGI Catalog for spline data &amp; ratios.

# Chrysler/Dodge 60/248 Front Disconnect Variable Parts Listing

Kits & Parts - Use With All Applications							
Description & Item Number (Refer to the "Exploded View" at the front of this section)			Bills of Material				
			610788 610789	610791	610794	610828	610829
1	Seal - Pinion Oil	8	42449	42449	-	42449	42449
2	Seal - End Yoke	9	34592	34592	-	34592	34592
3	End Yoke Assy (inc 9) or Flange	10	2-4-7681-1X	2-4-7681-1X	-	2-4-7681-1X	2-4-7681-1X
4	KIT - Carrier Cover	-	707335X	707335X	-	707335X	707335X
5	Pinion - Differential	23	46354	46354	-	46354	46354
6	Gear - Differential	24	46355	46355	-	46355	46355
7	Thrustwasher - Differential Gear	26	46146	46146	-	46146	46146
8	Seal - Tube (Left Side)	29	620216	620216	-	620216	620216
9	KIT - Socket Assembly	-	707469X	707469X	708047	707469X	707469X
10	Nut - Slotted	31	44101	44101	41864	44101	44101
11	Bushing - 0° Caster	32	44507	44507	-	44507	44507
12	Upper Socket	33	40126	40126	49476	40126	40126
13	Lock Nut	34	44133	44133	35566	44133	44133
14	Lower Socket	35	44627	44627	49477	44627	44627
15	Snap Ring	36	620343	620343	49478	620343	620343
16	Bolt - Knuckle/Hub	39	45524	45524	-	45524	45524
17	Outer Shaft & Slinger Assembly	42	75689X	-	80113	75689X	75689X
18	Spacer - Flat	47	45935	48355	-	45935	48355
19	Oil Seal	51	-	-	-	-	-
20	Clutch Collar	65	46401	46401	-	46401	46401
21	Seal - Tube (right side)	67	43154	43154	-	43154	43154
22	Output Shaft	68	45531	45531	-	45531	45531
23	Bearing Assy or Synthetic Bushing	69	566008	566008	-	566008	566008
			610830	610831	610832	610836 610837 610838	610839
1	Seal - Pinion Oil	8	42449	-	42449	47885	-
2	Seal - End Yoke	9	34592	-	34592	47886	-
3	End Yoke Assy (inc 9) or Flange	10	2-4-7681-1X	-	2-4-7681-1X	2-4-8421-1	-
4	KIT - Carrier Cover	-	707335X	-	707335X	708050	-
5	Pinion - Differential	23	46354	-	34367	46354	-
6	Gear - Differential	24	46355	-	34394	49482	-
7	Thrustwasher - Differential Gear	26	46146	-	34729	46146	-
8	Seal - Tube (Left Side)	29	620216	-	620216	49489	-
9	KIT - Socket Assembly	-	707469X	707469X	707469X	708047	708047
10	Nut - Slotted	31	44101	44101	44101	41864	41864
11	Bushing - 0° Caster	32	44507	44507	44507	-	-
12	Upper Socket	33	40126	40126	40126	49476	49476
13	Lock Nut	34	44133	44133	44133	35566	35566
14	Lower Socket	35	44627	44627	44627	49477	49477
15	Snap Ring	36	620343	620343	620343	49478	49478
16	Bolt - Knuckle/Hub	39	45524	45524	45524	49466	49466
17	Outer Shaft & Slinger Assembly	42	75689X	74777X	75689X	80375	80113
18	Spacer - Flat	47	48355	48355	45935	-	-
19	Oil Seal	51	-	-	-	50381	-
20	Clutch Collar	65	46401	-	46401	49495	-
21	Seal - Tube (right side)	67	43154	-	43154	49485	-
22	Output Shaft	68	45531	-	45531	49490	-
23	Bearing Assy or Synthetic Bushing	69	566008	-	566008	49488	-

# Chrysler/Dodge 60/248 Front Disconnect Variable Parts Listing



Kits & Parts - Use With All Applications							
Description & Item Number (Refer to the "Exploded View" at the front of this section)			Bills of Material				
			610840	610898	610899 610941 610942	610943	611054 611055 611056
1	Seal - Pinion Oil	8	-	-	47885	-	47885
2	Seal - End Yoke	9	-	-	47886	-	47886
3	End Yoke Assy (inc 9) or Flange	10	-	-	2-4-8421-1	-	2-4-8421-1
4	KIT - Carrier Cover	-	-	-	708050	-	708050
5	Pinion - Differential	23	-	-	46354	-	46354
6	Gear - Differential	24	-	-	49482	-	49482
7	Thrustwasher - Differential Gear	26	-	-	46146	-	46146
8	Seal - Tube (Left Side)	29	-	-	49489	-	49489
9	KIT - Socket Assembly	-	707469X	708047	708047	708047	708047
10	Nut - Slotted	31	44101	41864	41864	41864	41864
11	Bushing - 0° Caster	32	44507	-	-	-	-
12	Upper Socket	33	40126	49476	49476	49476	49476
13	Lock Nut	34	44133	35566	35566	35566	35566
14	Lower Socket	35	44627	49477	49477	49477	49477
15	Snap Ring	36	620343	49478	49478	49478	49478
16	Bolt - Knuckle/Hub	39	45524	49466	49466	49466	49466
17	Outer Shaft & Slinger Assembly	42	74777X	80113	80375	80113	80375
18	Spacer - Flat	47	48355	-	-	-	-
19	Oil Seal	51	-	-	50381	-	50381
20	Clutch Collar	65	-	-	49495	-	49495
21	Seal - Tube (right side)	67	-	-	49485	-	49485
22	Output Shaft	68	-	-	49490	-	49490
23	Bearing Assy or Synthetic Bushing	69	-	-	49488	-	49488
			<b>611057 611058</b>	<b>611059</b>	<b>611075 611076 611077</b>	<b>611078 611079</b>	<b>611153 611154 611155</b>
1	Seal - Pinion Oil	8	-	47885	47885	-	47885
2	Seal - End Yoke	9	-	47886	47886	-	47886
3	End Yoke Assy (inc 9) or Flange	10	-	2-4-8421-1	2-4-8421-1	-	2-4-8421-1
4	KIT - Carrier Cover	-	-	708050	708050	-	708050
5	Pinion - Differential	23	-	46354	46354	-	46354
6	Gear - Differential	24	-	49482	49482	-	49482
7	Thrustwasher - Differential Gear	26	-	46146	46146	-	46146
8	Seal - Tube (Left Side)	29	-	49489	49489	-	49489
9	KIT - Socket Assembly	-	708047	708047	708047	708047	708047
10	Nut - Slotted	31	41864	41864	41864	41864	41864
11	Bushing - 0° Caster	32	-	-	-	-	-
12	Upper Socket	33	49476	49476	49476	49476	49476
13	Lock Nut	34	35566	35566	35566	35566	35566
14	Lower Socket	35	49477	49477	49477	49477	49477
15	Snap Ring	36	49478	49478	49478	49478	49478
16	Bolt - Knuckle/Hub	39	49466	49466	49466	49466	49466
17	Outer Shaft & Slinger Assembly	42	80113	80375	80375	80113	80375
18	Spacer - Flat	47	-	-	-	-	-
19	Oil Seal	51	-	50381	50381	-	50381
20	Clutch Collar	65	-	49495	49495	-	49495
21	Seal - Tube (right side)	67	-	49485	49485	-	49485
22	Output Shaft	68	-	49490	49490	-	49490
23	Bearing Assy or Synthetic Bushing	69	-	49488	49488	-	49488

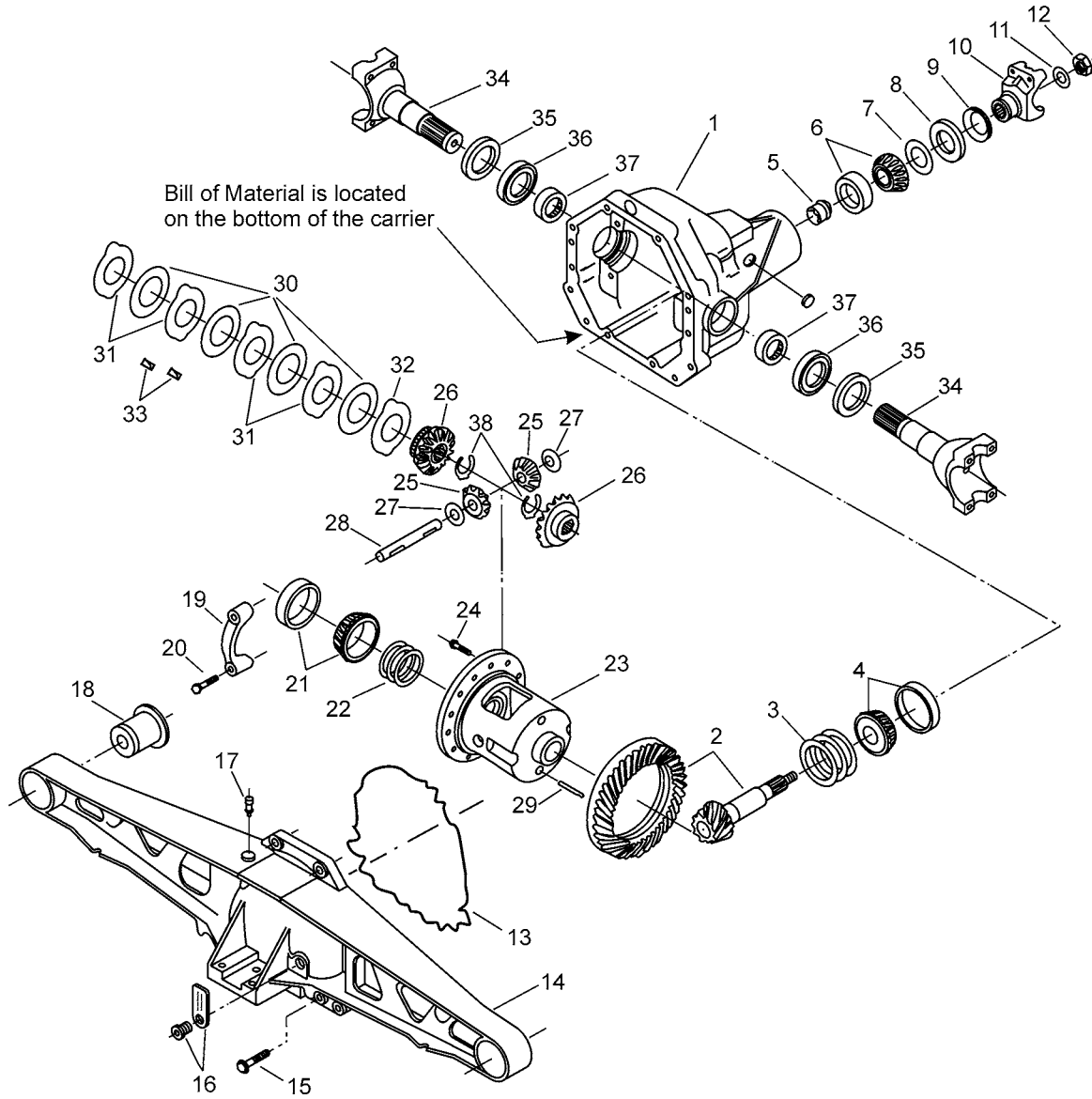
# Chrysler/Dodge 60/248 Front Disconnect Variable Parts Listing

Kits & Parts - Use With All Applications						
Description & Item Number (Refer to the "Exploded View" at the front of this section)			Bills of Material			
			611156 611157 611172	611173 611174	611175	611176
1	Seal - Pinion Oil	8	-	47885	-	47885
2	Seal - End Yoke	9	-	47886	-	47886
3	End Yoke Assy (inc 9) or Flange	10	-	2-4-8421-1	-	2-4-8421-1
4	KIT - Carrier Cover	-	-	708050	-	708050
5	Pinion - Differential	23	-	46354	-	46354
6	Gear - Differential	24	-	49482	-	49482
7	Thrustwasher - Differential Gear	26	-	46146	-	46146
8	Seal - Tube (Left Side)	29	-	49489	-	49489
9	KIT - Socket Assembly	-	708047	708047	708047	708047
10	Nut - Slotted	31	41864	41864	41864	41864
11	Bushing - 0° Caster	32	-	-	-	-
12	Upper Socket	33	49476	49476	49476	49476
13	Lock Nut	34	35566	35566	35566	35566
14	Lower Socket	35	49477	49477	49477	49477
15	Snap Ring	36	49478	49478	49478	49478
16	Bolt - Knuckle/Hub	39	49466	49466	49466	49466
17	Outer Shaft & Slinger Assembly	42	80113	80375	80113	80375
18	Spacer - Flat	47	-	-	-	-
19	Oil Seal -	51	-	50381	-	50381
20	Clutch Collar	65	-	49495	-	49495
21	Seal - Tube (right side)	67	-	49485	-	49485
22	Output Shaft	68	-	49490	-	49490
23	Bearing Assy or Synthetic Bushing	69	-	49488	-	49488



# **Model 44 /216 ICA Rear Axles for Viper**

# Chrysler/Dodge 44/216 ICA Rear Exploded View



# Chrysler/Dodge 44/216 ICA Rear Parts Listing



ITEM NO.	PART NUMBER	DESCRIPTION	ITEM NO.	PART NUMBER	DESCRIPTION
1	-(3)	Housing - Axle Service	18	44467-2	Bushing - Carrier Cover
2	-(1)	Drive Pinion & Gear Assembly	19	-(3)	Differential Bearing Cap
3	-	PKG - Inner Pinion Bearing Shim (select pkg. based on thickness req)	20	41212	Bolt - Differential Bearing Cap
	72922-1X	Inner Pinion Shim (.030 to .034)	21	706988X	KIT - Differential Bearing
	72922-2X	Inner Pinion Shim (.035 to .039)	22	701005X	PKG - Differential Bearing Shim
	72922-3X	Inner Pinion Shim (.040 to .044)	23	-(1)	Case - Differential
	72922-4X	Inner Pinion Shim (.045 to .049)	24	41221	Bolt - Drive Gear (qty 10)
	72922-5X	Inner Pinion Shim (.050 to .054)	25	41193	Pinion - Differential
4	707064X	KIT - Inner Pinion Bearing	26	46618	Gear - Differential
5	43916	Collapsible Spacer	27	13338-3	Thrustwasher - Differential Pinion
6	706123X	KIT - Outer Pinion Bearing	28	41219	Shaft - Differential
7	42737	Thrustwasher - Bearing	29	13449	Lock - Differential Shaft
8	42449	Seal - Pinion Oil		707018X	KIT - Differential Plate & Disc (inc items 30, 31, 32, 33)
9	42501	Seal - End Yoke	30	-(4)	Disc - Differential
10	3-4-12211-1	End Yoke Assembly (inc 9)	31	-(4)	Plate - Differential Pressure
11	30275	Washer - Pinion Nut	32	-(4)	Plate - Differential Dished
12	30271	Pinion Nut	33	40835	Clip - Diff Clutch Retainer
13	38615	RTV Silicone Sealant	34	-(1)	Shaft - Inner Yoke (inc 35)
14	-(3)	Arm - Carrier Cover Support	35	41218	Seal Defector - Inner Yoke Shaft
15	44300	Screw - Carrier Cover	36	45670	Oil Seal
16	39527	Fill Plug	37	566002	Bearing - Yoke Shaft
17	44780	Breather Vent	38	41323-8	Snap Ring

- (1) See "Bill of Material Table" below  
(2) See "Variable Parts Table" within this section  
(3) Contact Vehicle Manufacturer  
(4) Not Sold Separately

## Bill of Material Table

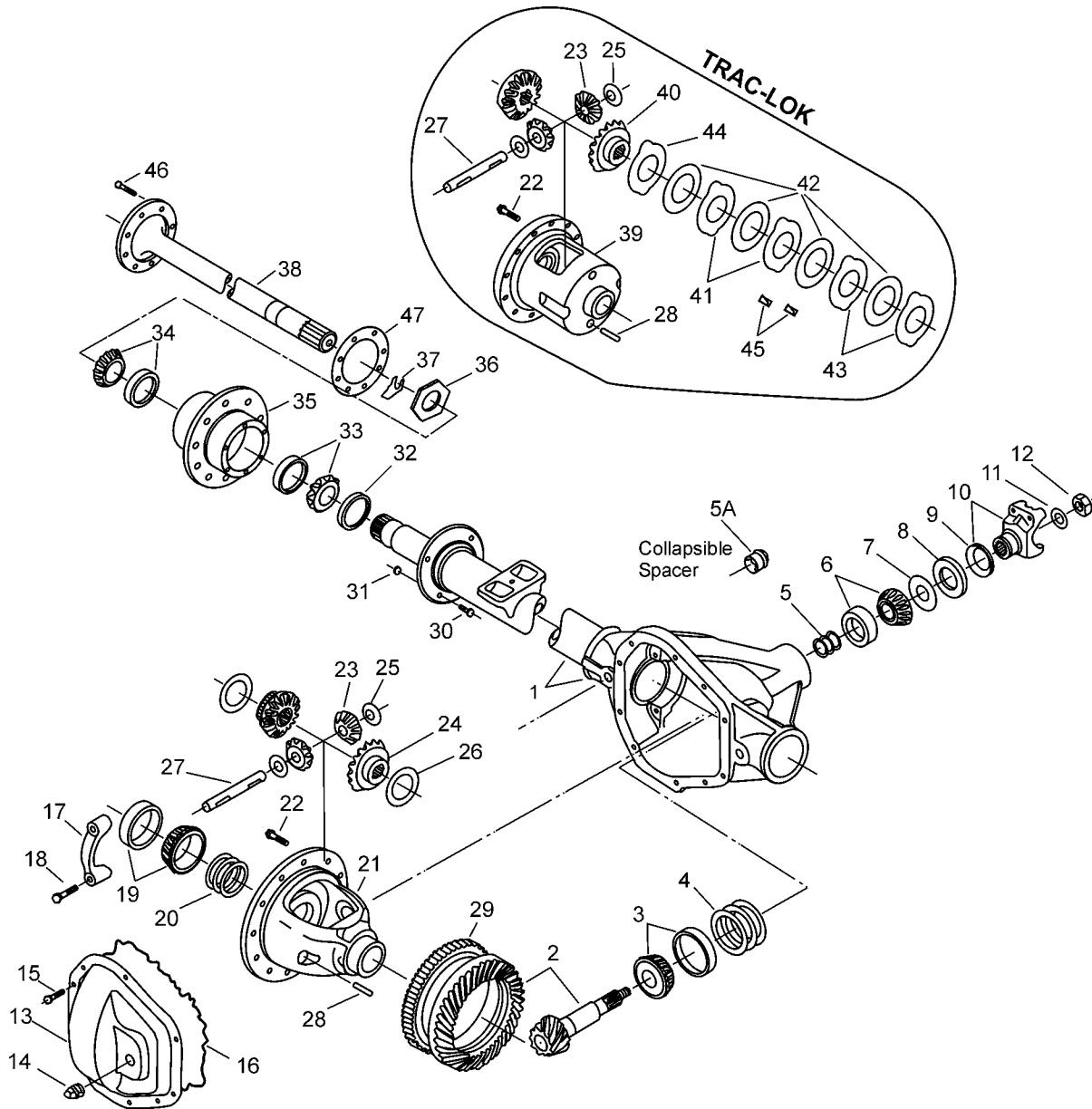
Axle			Axle Kits				Shaft & Joint Assy.	
Bill of Material	Diff. Type	Ratio	Ring Gear & Pinion Kit <sup>(7)</sup>	Differential			Right Hand Shaft Assy.	Left Hand Shaft Assy.
				Case Assy. Kit <sup>(8)</sup>	Case Kit	Inner Parts Kit		
<b>1998-2000 Viper</b>								
606014-1	Trac Lok	3.07	75402-5X	75499X	-	-	74788-1X	74788-2X
<b>2000 1/2 Viper</b>								
606521-1	Trac Lok	3.07	80739-5	80740	-	-	74788-1X	74788-2X

- (7) See Ring Gear & Pinion Kits in XGI Catalog for ratio & tooth combinations.  
(8) See Differential Case Assy Kits in XGI Catalog for spline data & ratios.



**Model 60 /248  
Rear Axles for  
B-300 Maxivan HD**

# Chrysler/Dodge 60/248 Rear Exploded View





# Chrysler/Dodge 60/248 Rear Parts Listing



ITEM NO.	PART NUMBER	DESCRIPTION	ITEM NO.	PART NUMBER	DESCRIPTION
1	-(3)	Housing - Axle Service	21	-(1)	Case - Differential (std)
2	-(1)	Drive Gear & Pinion Assembly	22	40638	Bolt - Drive Gear (qty 12)
3	706046X	KIT - Inner Pinion Bearing	23	34367	Pinion - Differential
	-(2)	PKG - Diff & Pinion Bearing Shim (inc items 4, 5, 12, 16, 20)	24	34394	Gear - Differential (std)
	-(2)	PKG - Pinion Bearing Shim (inc items 4, 5, 11, 12, 16)	25	34730	Thrustwasher - Differential Pinion
4	-(2)	Inner Pinion Bearing Shims	26	34729	Thrustwasher - Diff Gear (std)
5	-(2)	Outer Pinion Bearing Shims	27	30263	Shaft - Differential
5A	-(2)	Collapsible Spacer	28	44810	Lock - Differential Shaft
6	706045X	KIT - Outer Pinion Bearing	29	42928	Tone Ring (ABS)
7	42737	Thrustwasher	30	44835	Bolt - Brake Mounting
8	-(2)	Seal - Pinion Oil	31	44836	Nut - Brake Mounting
9	34592	Slinger - End Yoke	32	-(2)	Hub Seal
10	3-4-11891-1X	End Yoke (inc 9)	33	-(3)	KIT - Inner Wheel Bearing
11	30275	Washer - Pinion Nut	34	-(3)	KIT - Outer Wheel Bearing
12	30271	Pinion Nut	35	-(3)	Wheel Hub
	707183X	KIT - Carrier Cover (inc items 13, 14, 15, 16)	36	47163	Spindle Nut
13	43788	Carrier Cover	37	46545	Lockwasher / Locking Wedge
14	43180	Plug - Carrier Cover	38	-(1)	Shaft - Axle Flanged Drive
15	34822	Bolt - Carrier Cover (qty 10)	39	-(1)	Case - Differential (t/l)
16	34687	Gasket - Carrier Cover	40	35803	Gear - Differential (t/l)
	38615	RTV Silicone Sealant	41	707083X	KIT - Disc & Plate (t/l)
17	-(3)	Cap - Differential Bearing	42	-(4)	Plate - Differential Pressure
18	48632-1	Bolt - Differential Bearing Cap	43	-(4)	Disc - Differential
19	706047X	KIT - Differential Bearing	44	-(4)	Plate - Diff(selective thickness)
20	708012	KIT - Diff Bearing Shim (inc 16)	45	-(4)	Plate - Preload Spacer
			46	40835	Clip - Diff Clutch Retainer
			47	45720	Cap Screw
				39697	Gasket

- (1) See "Bill of Material Table" on next page  
(2) See "Variable Parts Table" within this section  
(3) Contact Vehicle Manufacturer  
(4) Not Sold Separately  
(6) See Shim Table in the back of this catalog

# Chrysler/Dodge 60/248 Rear Bill of Material Table

Axle			Axle Kits				Shaft & Joint Assy.	
Bill of Material	Diff. Type	Ratio	Ring Gear & Pinion Kit <sup>(7)</sup>	Differential			Right Hand Shaft Assy.	Left Hand Shaft Assy.
				Case Assy. Kit <sup>(8)</sup>	Case Kit	Inner Parts Kit		
<b>1999 B-300 Van w/ABS</b>								
606155-2	Trac Lok	4.09	708021-1	708013	708014	707084X	43965-2	43965-3
606156-1	Standard	4.09	708021-1	708010	708011	706043X	43965-2	43965-3
606205-2	Trac Lok	4.10	708009-2	708013	708014	707084X	43965-2	43965-3
606206-1	Standard	4.10	708009-2	708010	708011	706043X	43965-2	43965-3
606206-2	Trac Lok	4.10	708009-2	708013	708014	707084X	43965-2	43965-3
<b>2001 B-300 Van w/ABS</b>								
606714-2	Trac Lok	4.10	708148-2	708013	708014	707084X	43965-2	43965-3

NOTE: All Ring & Pinion Kits with base number 706930 are reverse spiral bevel

(7) See Ring Gear & Pinion Kits in XGI Catalog for ratio & tooth combinations.

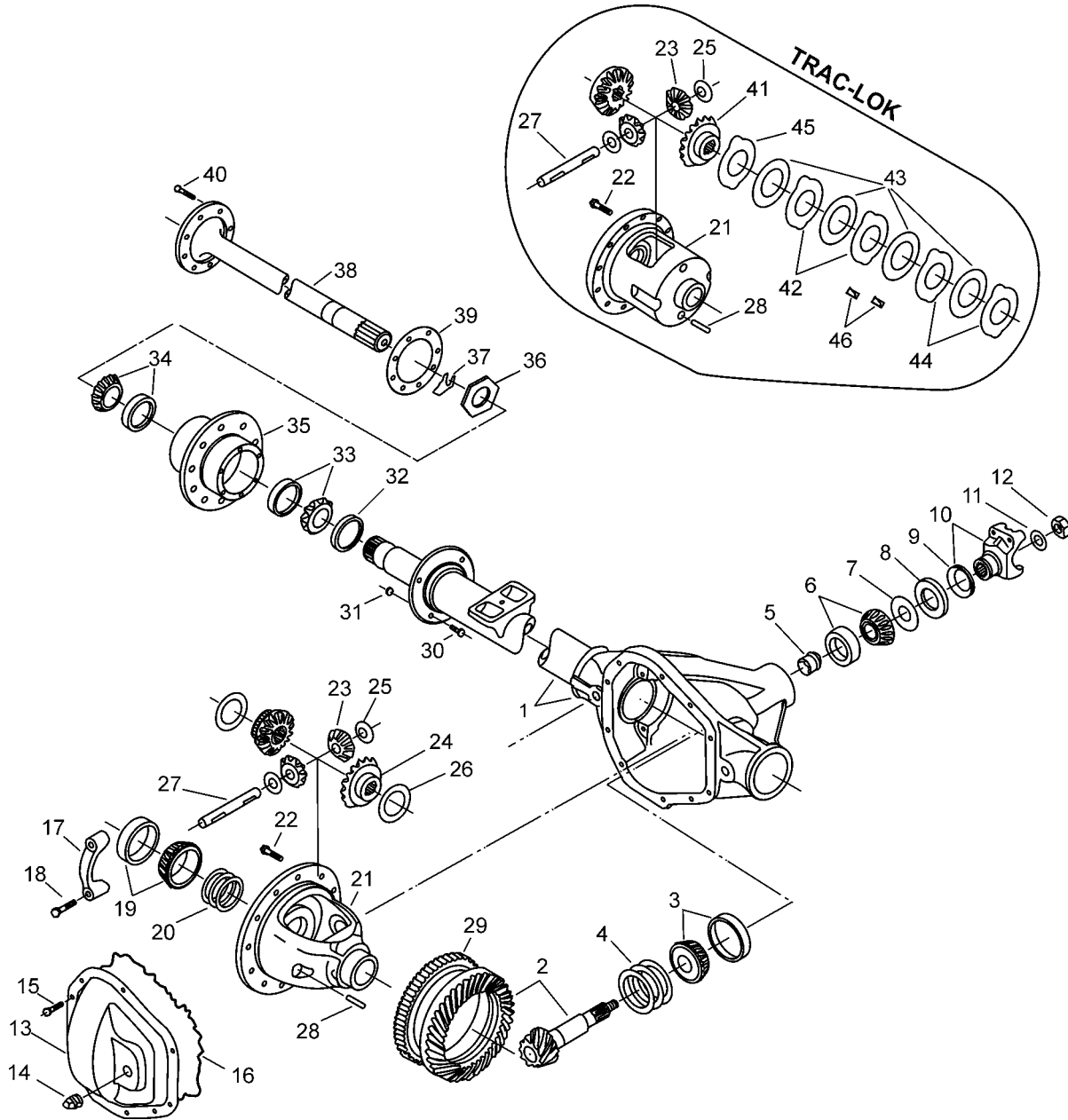
(8) See Differential Case Assy Kits in XGI Catalog for spline data & ratios.

## Variable Parts Listing

Kits & Parts - Use With All Applications								
Description & Item Number (Refer to "Exploded View" at the front of this section)				Bills of Material				
				606155	606156	606205	606206	606714
1	PKG - Diff & Pinion Bearing Shim	-	708020	708020	-	-	-	-
2	PKG - Pinion Bearing Shim	-	706359X	706359X	-	-	-	-
3	Inner Pinion Bearing Shims	4	701012X	701012X	703018	703018	703018	703018
4	Outer Pinion Bearing Shims	5	701012X	701012X	-	-	-	-
5	Collapsible Spacer	5A	-	-	45658	45658	45658	45658
6	Seal - Pinion Oil	8	42449	42449	42449	42449	42449	50637
7	Hub Seal	32	35313	43146	35313	43146	43146	35313

**Model 60 /248  
Rear Axles for  
D2500 & W2500 Ram**

# Chrysler /Dodge 60/248 Rear - Ram Exploded View



# Chrysler /Dodge 60/248 Rear - Ram

## Parts Listing



ITEM NO.	PART NUMBER	DESCRIPTION	ITEM NO.	PART NUMBER	DESCRIPTION
1	-(3)	Housing - Axle Service	24	34394	Gear - Differential (std)
2	-(1)	Drive Gear & Pinion Assembly	25	34730	Thrustwasher - Differential Pinion
3	706046X	KIT - Inner Pinion Bearing	26	34729	Thrustwasher - Diff Gear (std)
4	701126X	PKG - Inner Pinion Bearing Shim	27	30263	Shaft - Differential
5	45658	Collapsible Spacer	28	44810	Lock - Differential Shaft
6	706045X	KIT - Outer Pinion Bearing	29	42928	Tone Ring (ABS Only)
7	42737	Thrustwasher	30	-(2)	Bolt - Brake Mounting
8	-(2)	Seal - Pinion	31	-(2)	Nut - Brake Mounting
9	-(2)	Slinger - End Yoke	32	-(2)	Seal - Hub
10	-(2)	End Yoke Assembly (inc 9)	33	-(3)	KIT - Inner Wheel Bearing
11	44167	Washer - Pinion Nut	34	-(3)	KIT - Outer Wheel Bearing
12	30271	Pinion Nut	35	-(3)	Wheel Hub
	-(2)	KIT - Carrier Cover (inc. 13, 14, 15)	36	47163	Spindle Nut
13	-(2)	Carrier Cover	37	46545	Locking Wedge
14	43180	Plug - Carrier Cover	38	-(1)	Shaft - Axle Flanged Drive
15	34822	Bolt - Carrier Cover (qty 10)	39	39697	Gasket
16	34687	Gasket - Carrier Cover	40	45720	Cap Screw
	38615	RTV Silicone Sealant	41	35803	Gear - Differential (t/l)
17	-(3)	Differential Bearing Cap		707083X	KIT - Diff Plate & Disc (t/l)
18	48632-1	Bolt - Differential Bearing Cap	42	-(4)	Plate - Differential Pressure
19	706047X	KIT - Differential Bearing	43	-(4)	Disc - Differential
20	708012	KIT - Diff Bearing Shim (inc 16)	44	-(4)	Plate - Diff (selec. thickness)
21	-(1)	Case - Differential	45	-(4)	Plate - Preload Spacer
22	40638	Bolt - Drive Gear (qty 12)	46	40835	Clip - Diff Clutch Retainer
23	34367	Pinion - Differential			

- (1) See "Bill of Material Table" on next page
- (2) See "Variable Parts Table" within this section
- (3) Contact Vehicle Manufacturer
- (4) Not Sold Separately

# Chrysler /Dodge 60/248 Rear - Ram

## Bill of Material Table

Axle			Axle Kits				Shaft & Joint Assy.	
Bill of Material	Diff. Type	Ratio	Ring Gear & Pinion Kit <sup>(7)</sup>	Differential			Right Hand Shaft Assy.	Left Hand Shaft Assy.
				Case Assy. Kit <sup>(8)</sup>	Case Kit	Inner Parts Kit		
<b>1999 D2500 w/ABS</b>								
606146-1	Standard	3.55	708009-1	708010	708011	706043X	43965-4	43965-4
606146-2	Trac Lok	4.10	708009-2	708013	708014	707084X	43965-4	43965-4
<b>1999 W2500</b>								
606147-1	Standard	3.55	708009-1	708010	708011	706043X	43965-4	43965-4
606147-2	Trac Lok	4.10	708009-2	708013	708014	707084X	43965-4	43965-4
<b>2000 D2500 w/ABS</b>								
606117-1	Standard	3.55	708009-1	708010	708011	706043X	43965-4	43965-4
606117-2	Trac Lok	4.10	708009-2	708013	708014	707084X	43965-4	43965-4
606239-1	Standard	3.55	708009-3	708010	708011	706043X	43965-4	43965-4
606239-2	Trac Lok	4.10	708009-4	708013	708014	707084X	43965-4	43965-4
606541-1	Standard	3.55	708009-3	708010	708011	706043X	43965-4	43965-4
606541-2	Trac Lok	4.10	708009-4	708013	708014	707084X	43965-4	43965-4
<b>2000 W2500</b>								
606118-1	Standard	3.55	708009-1	708010	708011	706043X	43965-4	43965-4
606118-2	Trac Lok	4.10	708009-2	708013	708014	707084X	43965-4	43965-4
606240-1	Standard	3.55	708009-3	708010	708011	706043X	43965-4	43965-4
606240-2	Trac Lok	4.10	708009-4	708013	708014	707084X	43965-4	43965-4
606542-1	Standard	3.55	708009-3	708010	708011	706043X	43965-4	43965-4
606542-2	Trac Lok	4.10	708009-4	708013	708014	707084X	43965-4	43965-4
<b>2001 D2500 w/ABS</b>								
606264-1	Standard	3.55	708009-3	708010	708011	706043X	43965-4	43965-4
606264-2	Trac Lok	4.10	708009-4	708013	708014	707084X	43965-4	43965-4
606705-1	Standard	3.55	708148-1	708010	708011	706043X	43965-4	43965-4
606705-2	Trac Lok	4.10	708148-2	708013	708014	707084X	43965-4	43965-4
<b>2001 W2500</b>								
606265-1	Standard	3.55	708009-3	708010	708011	706043X	43965-4	43965-4
606265-2	Trac Lok	4.10	708009-4	708013	708014	707084X	43965-4	43965-4
606706-1	Standard	3.55	708148-1	708010	708011	706043X	43965-4	43965-4
606706-2	Trac Lok	4.10	708148-2	708013	708014	707084X	43965-4	43965-4

(7) See Ring Gear & Pinion Kits in XGI Catalog for ratio & tooth combinations.

(8) See Differential Case Assy Kits in XGI Catalog for spline data & ratios.

# Chrysler /Dodge 60/248 Rear - Ram

## Variable Parts Listing



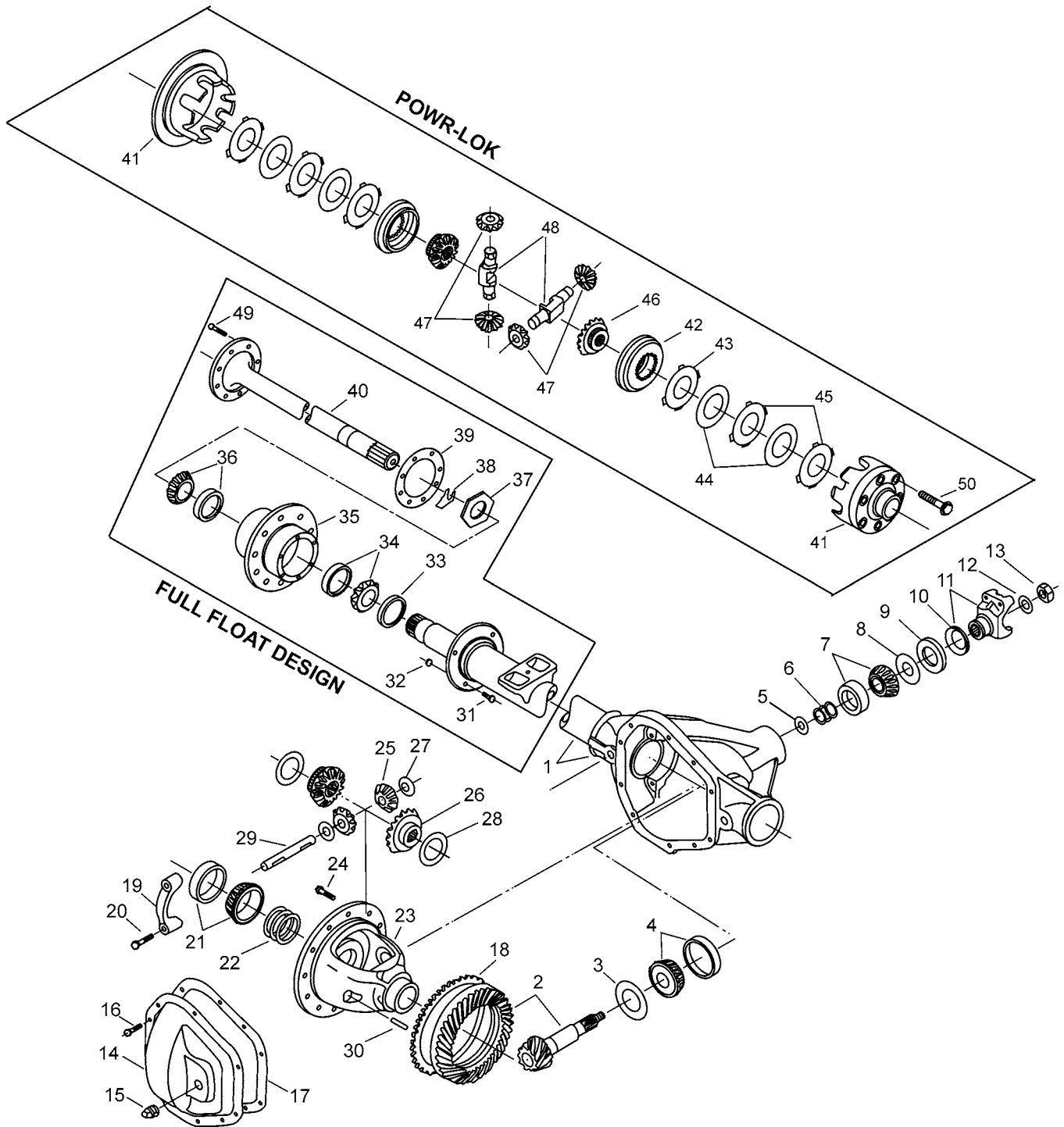
Kits & Parts - Use With All Applications							
Description & Item Number (Refer to "Exploded View" at the front of this section)			Bills of Material				
			606117	606118	606146	606147	606239
1	Seal - Pinion	8	42449	42449	42449	42449	47885
2	Slinger - End Yoke	9	34592	34592	34592	34592	50251
3	End Yoke Assembly (inc 9)	10	3-4-11891-1X	3-4-11891-1X	3-4-11891-1X	3-4-11891-1X	3-4-11851-1
4	KIT - Carrier Cover	-	707353X	707354X	707353X	707354X	707353X
5	Carrier Cover	13	46292-1	46292-2	46292-1	46292-2	46292-1
6	Bolt - Brake Mounting	30	48835	48835	48835	48835	48835
7	Nut - Brake Mounting	31	48836	48836	48836	48836	48836
8	Seal - Hub	32	43146	43146	47507	47507	43146
			<b>606240</b>	<b>606264</b>	<b>606265</b>	<b>606541</b>	<b>606542</b>
1	Seal - Pinion	8	47885	47885	47885	47885	47885
2	Slinger - End Yoke	9	50251	50251	50251	50251	50251
3	End Yoke Assembly (inc 9)	10	3-4-11851-1	3-4-11851-1	3-4-11851-1	3-4-11851-1	3-4-11851-1
4	KIT - Carrier Cover	-	707354X	707353X	707354X	707353X	707354X
5	Carrier Cover	13	46292-2	46292-1	46292-2	46292-1	46292-2
6	Bolt - Brake Mounting	30	48835	-	-	48835	48835
7	Nut - Brake Mounting	31	48836	47892	47892	48836	48836
8	Seal - Hub	32	43146	43146	43146	43146	43146
			<b>606705</b>	<b>606706</b>			
1	Seal - Pinion	8	50574	50574			
2	Slinger - End Yoke	9	50251	50251			
3	End Yoke Assembly (inc 9)	10	3-4-11851-1	3-4-11851-1			
4	KIT - Carrier Cover	-	707353X	707354X			
5	Carrier Cover	13	46292-1	46292-2			
6	Bolt - Brake Mounting	30	-	-			
7	Nut - Brake Mounting	31	47892	47892			
8	Seal - Hub	32	43146	43146			





**Model 70 /267  
Rear Axles for  
D2500 & W2500 Ram**

# Chrysler/Dodge 70/267 Rear - Ram Exploded View



# Chrysler/Dodge 70/267 Rear - Ram

## Parts Listing

ITEM NO.	PART NUMBER	DESCRIPTION	ITEM NO.	PART NUMBER	DESCRIPTION
1	-(3)	Housing - Axle Service	26	43913	Gear - Differential (std)
2	-(1)	Drive Gear & Pinion Assembly	27	35082	Thrustwasher - Diff Pinion (std)
3	47520(6)	PKG - Inner Pinion Bearing Shim	28	34729	Thrustwasher - Diff Gear (std)
4	706861X	Kit - Inner Pinion Bearing	29	46640	Shaft - Differential (std)
5	46176	Flat Spacer - Outer Pinion	30	47024	Lock - Differential Shaft
6	34801(6)	Outer Pinion Bearing Shims	31	-(2)	Bolt - Brake Mounting
7	706045X	KIT - Outer Pinion Bearing	32	-(2)	Nut - Brake Mounting
8	42737	Thrustwasher - Bearing	33	-(2)	Seal - Hub
9	-(2)	Seal - Pinion Oil	34	-(3)	KIT - Inner Wheel Bearing
10	-(2)	Slinger - End Yoke	35	-(3)	Wheel Hub
11	-(2)	End Yoke Assembly (inc 10)	36	-(3)	KIT - Outer Wheel Bearing
12	44167	Washer - Pinion Nut	37	47163	Spindle Nut
13	30271	Pinion Nut	38	46545	Locking Wedge
	-(2)	Kit - Carrier Cover	39	39697	Gasket - Axle Shaft
14	-(2)	Carrier Cover	40	-(1)	Shaft - Axle Flange Drive
15	43180	Plug - CarrierCover	41	-(1)	Case - Differential (p/l)
16	34822	Bolt - Carrier Cover (qty 10)	42	42522	Ring - Differential Gear
17	34687	Gasket - Carrier Cover		707075X	KIT - Disc & Plate (p/l)
18	42929	Tone Ring (ABS)	43	-(4)	Plate - Differential
19	-(3)	Differential Bearing Cap	44	-(4)	Disc - Differential Dished
20	48632-1	Bolt - Differential Bearing Cap	45	-(4)	Plate - Differential
21	706047X	KIT - Differential Bearing	46	43914	Gear - Differential (p/l)
22	708012(6)	PKG - Diff Bearing Shim (inc 17)	47	31040	Pinion - Differential (p/l)
23	-(1)	Case - Differential (std)	48	31041	Shaft - Differential (p/l)
24	40638	Bolt - Drive Gear (qty 12)	49	45720	Screw - Axle Shaft
25	35080	Pinion - Differential (std)	50	41610-1	Flange Head Screw

- (1) See "Bill of Material Table" on next page  
 (2) See "Variable Parts Table" within this section  
 (3) Contact Vehicle Manufacturer  
 (4) Not Sold Separately  
 (6) See Shim Table in the back of this catalog

# Chrysler/Dodge 70/267 Rear - Ram

## Bill of Material Table

Axle			Axle Kits				Shaft & Joint Assy.	
Bill of Material	Diff. Type	Ratio	Ring Gear & Pinion Kit <sup>(7)</sup>	Differential			Right Hand Shaft Assy.	Left Hand Shaft Assy.
				Case Assy. Kit <sup>(8)</sup>	Case Kit	Inner Parts Kit		
<b>1999 D2500 Air Force Tow Vehicle w/ABS</b>								
606164-2	Powr Lok	7.17	708015-3	708024	708025	707254X	43811-12	43811-12
606165-2	Powr Lok	7.17	708015-3	708024	708025	707254X	43811-12	43811-12
<b>1999 D2500 w/ABS</b>								
606149-1	Standard	3.54	708015-1	708016	708017	707252X	43811-12	43811-12
606149-2	Powr Lok	3.54	708015-1	708018	708019	707254X	43811-12	43811-12
606149-3	Standard	4.10	708015-2	708016	708017	707252X	43811-12	43811-12
606149-4	Powr Lok	4.10	708015-2	708018	708019	707254X	43811-12	43811-12
<b>1999 W2500</b>								
606148-1	Standard	3.54	708015-1	708016	708017	707252X	43811-12	43811-12
606148-2	Powr Lok	3.54	708015-1	708018	708019	707254X	43811-12	43811-12
606148-3	Standard	4.10	708015-2	708016	708017	707252X	43811-12	43811-12
606148-4	Powr Lok	4.10	708015-2	708018	708019	707254X	43811-12	43811-12
<b>2000 D2500 w/ABS</b>								
606120-1	Standard	3.54	708015-1	708016	708017	707252X	43811-12	43811-12
606120-2	Powr Lok	3.54	708015-1	708018	708019	707254X	43811-12	43811-12
606120-3	Standard	4.10	708015-2	708016	708017	707252X	43811-12	43811-12
606120-4	Powr Lok	4.10	708015-2	708018	708019	707254X	43811-12	43811-12
606241-1	Standard	3.54	708015-4	708016	708017	707252X	43811-12	43811-12
606241-2	Powr Lok	3.54	708015-4	708018	708019	707254X	43811-12	43811-12
606241-3	Standard	4.10	708015-5	708016	708017	707252X	43811-12	43811-12
606241-4	Powr Lok	4.10	708015-5	708018	708019	707254X	43811-12	43811-12
606543-1	Standard	3.54	708015-4	708016	708017	707252X	43811-12	43811-12
606543-2	Powr Lok	3.54	708015-4	708018	708019	707254X	43811-12	43811-12
606543-3	Standard	4.10	708015-5	708016	708017	707252X	43811-12	43811-12
606543-4	Powr Lok	4.10	708015-5	708018	708019	707254X	43811-12	43811-12
<b>2000 D2500 Air Force Tow Vehicle w/ABS</b>								
606249-1	Standard	7.17	708015-6	708022	708023	707252X	43811-12	43811-12
606249-2	Powr Lok	7.17	708015-6	708024	708025	707254X	43811-12	43811-12
<b>2000 W2500</b>								
606119-1	Standard	3.54	708015-1	708016	708017	707252X	43811-12	43811-12
606119-2	Powr Lok	3.54	708015-1	708018	708019	707254X	43811-12	43811-12
606119-3	Standard	4.10	708015-2	708016	708017	707252X	43811-12	43811-12
606119-4	Powr Lok	4.10	708015-2	708018	708019	707254X	43811-12	43811-12
606242-1	Standard	3.54	708015-4	708016	708017	707252X	43811-12	43811-12
606242-2	Powr Lok	3.54	708015-4	708018	708019	707254X	43811-12	43811-12
606242-3	Standard	4.10	708015-5	708016	708017	707252X	43811-12	43811-12
606242-4	Powr Lok	4.10	708015-5	708018	708019	707254X	43811-12	43811-12
606544-1	Standard	3.54	708015-4	708016	708017	707252X	43811-12	43811-12
606544-2	Powr Lok	3.54	708015-4	708018	708019	707254X	43811-12	43811-12
606544-3	Standard	4.10	708015-5	708016	708017	707252X	43811-12	43811-12
606544-4	Powr Lok	4.10	708015-5	708018	708019	707254X	43811-12	43811-12

(7) See Ring Gear & Pinion Kits in XGI Catalog for ratio & tooth combinations.

(8) See Differential Case Assy Kits in XGI Catalog for spline data & ratios.

# Chrysler/Dodge 70/267 Rear - Ram

## Bill of Material Table

Axle			Axle Kits				Shaft & Joint Assy.	
Bill of Material	Diff. Type	Ratio	Ring Gear & Pinion Kit <sup>(7)</sup>	Differential			Right Hand Shaft Assy.	Left Hand Shaft Assy.
				Case Assy. Kit <sup>(8)</sup>	Case Kit	Inner Parts Kit		
<b>2000 W2500 Air Force Tow Vehicle w/ABS</b>								
606250-1	Standard	7.17	708015-6	708022	708023	707252X	43811-12	43811-12
606250-2	Powr Lok	7.17	708015-6	708024	708025	707254X	43811-12	43811-12
<b>2001 D2500 w/ABS</b>								
606266-1	Standard	3.54	708015-4	708016	708017	707252X	43811-12	43811-12
606266-2	Powr Lok	3.54	708015-4	708018	708019	707254X	43811-12	43811-12
606266-3	Standard	4.10	708015-5	708016	708017	707252X	43811-12	43811-12
606266-4	Powr Lok	4.10	708015-5	708018	708019	707254X	43811-12	43811-12
606707-1	Standard	3.54	708149-1	708016	708017	707252X	43811-12	43811-12
606707-2	Powr Lok	3.54	708149-1	708018	708019	707254X	43811-12	43811-12
606707-3	Standard	4.10	708149-2	708016	708017	707252X	43811-12	43811-12
606707-4	Powr Lok	4.10	708149-2	708018	708019	707254X	43811-12	43811-12
<b>2001 D2500 Air Force Tow Vehicle w/ABS</b>								
606274-1	Standard	7.17	708015-6	708022	708023	707252X	43811-12	43811-12
606274-2	Powr Lok	7.17	708015-6	708024	708025	707254X	43811-12	43811-12
<b>2001 W2500</b>								
606267-1	Standard	3.54	708015-4	708016	708017	707252X	43811-12	43811-12
606267-2	Powr Lok	3.54	708015-4	708018	708019	707254X	43811-12	43811-12
606267-3	Standard	4.10	708015-5	708016	708017	707252X	43811-12	43811-12
606267-4	Powr Lok	4.10	708015-5	708018	708019	707254X	43811-12	43811-12
606708-1	Standard	3.54	708149-1	708016	708017	707252X	43811-12	43811-12
606708-2	Powr Lok	3.54	708149-1	708018	708019	707254X	43811-12	43811-12
606708-3	Standard	4.10	708149-2	708016	708017	707252X	43811-12	43811-12
606708-4	Powr Lok	4.10	708149-2	708018	708019	707254X	43811-12	43811-12
<b>2001 W2500 Air Force Tow Vehicle w/ABS</b>								
606273-1	Standard	7.17	708015-6	708022	708023	707252X	43811-12	43811-12
606273-2	Powr Lok	7.17	708015-6	708024	708025	707254X	43811-12	43811-12

(7) See Ring Gear &amp; Pinion Kits in XGI Catalog for ratio &amp; tooth combinations.

(8) See Differential Case Assy Kits in XGI Catalog for spline data &amp; ratios.

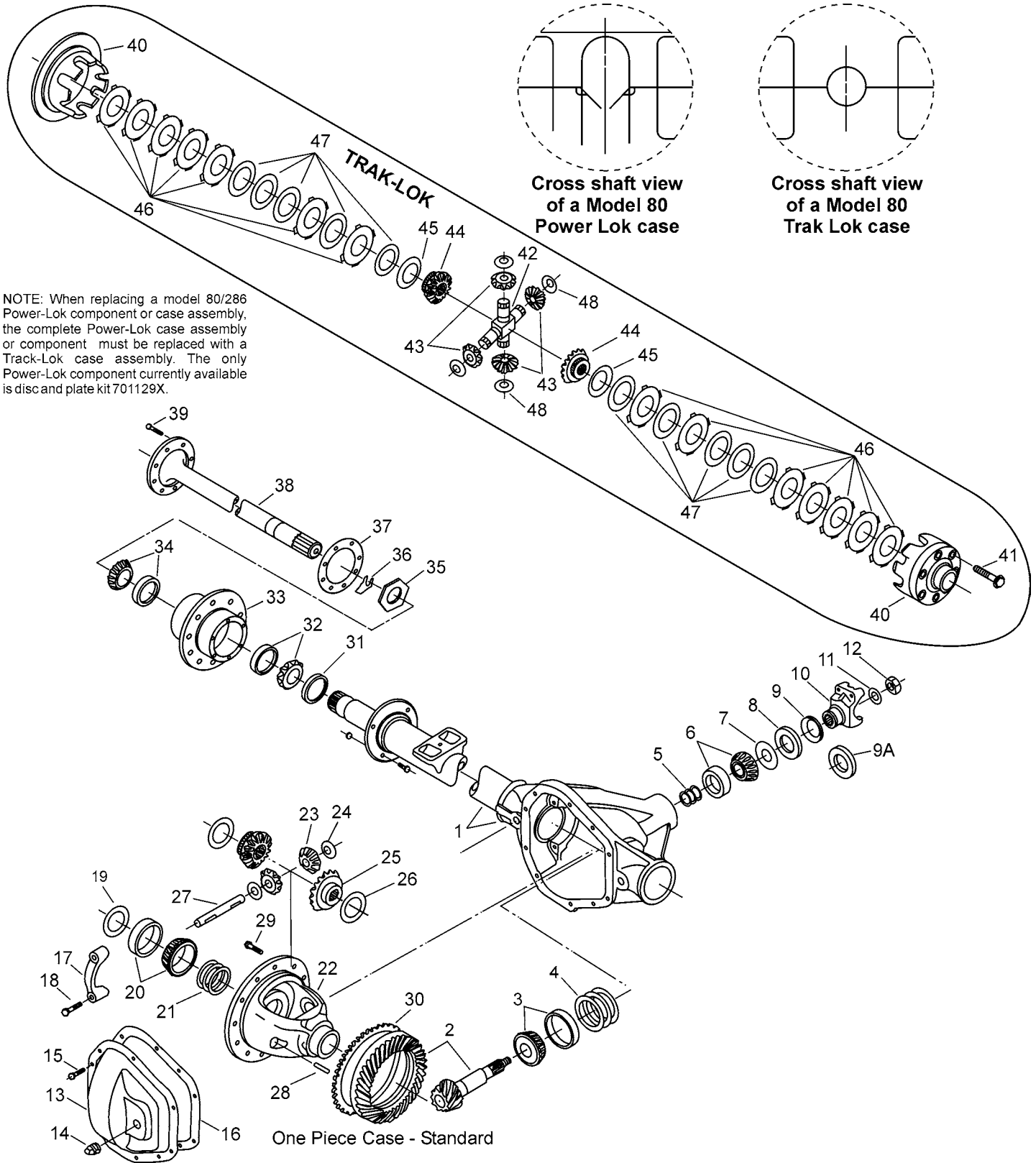
# Chrysler/Dodge 70/267 Rear - Ram

## Variable Parts Listing

Kits & Parts - Use With All Applications							
Description & Item Number (Refer to the "Exploded View" at the front of this section)			Bills of Material				
			606119	606120	606148	606149	606164
1	Seal - Pinion Oil	9	42449	42449	42449	42449	42449
2	Slinger - End Yoke	10	34592	34592	34592	34592	34592
3	End Yoke Assembly (inc 10)	11	3-4-11891-1X	3-4-11891-1X	3-4-11891-1X	3-4-11891-1X	3-4-11891-1X
4	Kit - Carrier Cover	-	707351X	707352X	707351X	707352X	707351X
5	Carrier Cover	14	46293-2	46293-1	46293-2	46293-1	46293-2
6	Bolt - Brake Mounting	31	48835	48835	48835	48835	48835
7	Nut - Brake Mounting	32	48836	48836	48836	48836	48836
8	Seal - Hub	33	43146	43146	47507	47507	47507
			<b>606165</b>	<b>606241</b>	<b>606242</b>	<b>606249</b>	<b>606250</b>
1	Seal - Pinion Oil	9	42449	47885	47885	47885	47885
2	Slinger - End Yoke	10	34592	50251	50251	50251	50251
3	End Yoke Assembly (inc 10)	11	3-4-11891-1X	3-4-11851-1	3-4-11851-1	3-4-11851-1	3-4-11851-1
4	Kit - Carrier Cover	-	707352X	707352X	707351X	707352X	707351X
5	Carrier Cover	14	46293-1	46293-1	46293-2	46293-1	46293-2
6	Bolt - Brake Mounting	31	48835	48835	48835	48835	48835
7	Nut - Brake Mounting	32	48836	48836	48836	48836	48836
8	Seal - Hub	33	47507	43146	43146	43146	43146
			<b>606266</b>	<b>606267</b>	<b>606273</b>	<b>606274</b>	<b>606543</b>
1	Seal - Pinion Oil	9	47885	47885	47885	47885	47885
2	Slinger - End Yoke	10	50251	50251	50251	50251	50251
3	End Yoke Assembly (inc 10)	11	3-4-11851-1	3-4-11851-1	3-4-11851-1	3-4-11851-1	3-4-11851-1
4	Kit - Carrier Cover	-	707352X	707351X	707351X	707352X	707352X
5	Carrier Cover	14	46293-1	46293-2	46293-2	46293-1	46293-1
6	Bolt - Brake Mounting	31	-	-	-	-	48835
7	Nut - Brake Mounting	32	47892	47892	47892	47892	48836
8	Seal - Hub	33	43146	43146	43146	43146	43146
			<b>606544</b>	<b>606707</b>	<b>606708</b>		
1	Seal - Pinion Oil	9	47885	50574	50574		
2	Slinger - End Yoke	10	50251	50251	50251		
3	End Yoke Assembly (inc 10)	11	3-4-11851-1	3-4-11851-1	3-4-11851-1		
4	Kit - Carrier Cover	-	707351X	707352X	707351X		
5	Carrier Cover	14	46293-2	46293-1	46293-2		
6	Bolt - Brake Mounting	31	48835	-	-		
7	Nut - Brake Mounting	32	48836	47892	47892		
8	Seal - Hub	33	43146	43146	43146		

**Model 80 /286  
Rear Axles for  
D2500, D3500, W2500 & Sweptline Vehicle**

# Chrysler/Dodge 80/286 Rear Exploded View





# Chrysler/Dodge 80/286 Rear Parts Listing



ITEM NO.	PART NUMBER	DESCRIPTION	ITEM NO.	PART NUMBER	DESCRIPTION
1	-(3)	Housing - Axle Service	23	42413	Pinion - Differential (std)
2	-(1)	Drive Pinion & Gear Assembly	24	35082	Thrustwasher - Differential Pinion
3	707065X	KIT - Inner Pinion Bearing	25	42411	Gear - Differential (std)
	707066X	PKG - Pinion Bearing Shim (inc items 4, 5, 11, 12)	26	34729	Thrustwasher - Differential Gear
	708036	PKG - Diff & Pinion Bearing Shim (inc items 4, 5, 11, 12, 21)	27	46640	Shaft - Differential
4	-(4)	Inner Pinion Bearing Shims	28	47024	Lock - Differential Shaft
5	-(4)	Outer Pinion Bearing Shims	29	42433	Bolt - Drive Gear
6	707064X	KIT - Outer Pinion Bearing	30	42414	Tone Ring (ABS)
7	42430	Thrustwasher - Bearing	31	-(2)	Seal - Inner Wheel
8	-(2)	Seal - Pinion Oil	32	-(3)	Bearing - Inner Wheel
9	-(2)	Seal - Deflector	33	-(3)	Hub Assembly
9A	-(2)	Seal - V-Ring	34	-(3)	Bearing - Outer Wheel
10	-(2)	End Yoke Assembly	35	47163	Spindle Nut
11	37104	Washer - Pinion Nut	36	46545	Locking Wedge
12	37082	Pinion Nut	37	39697	Gasket
	-(2)	KIT - Carrier Cover (inc items 13, 14, 15, 16)	38	-(1)	Axle Shaft
13	-(2)	Carrier Cover	39	45720	Screw - Flange Head
14	38637	Plug - Carrier Cover	40	-(1)	Case - Differential
15	-(2)	Bolt - Carrier Cover	41	41610-1	Screw - Flange Head
16	38615	RTV Silicone Sealant	42	47802	Shaft - Differential (t/l)
17	-(3)	Differential Bearing Cap	43	47798	Pinion - Differential (t/l)
18	48632-1	Bolt - Differential Bearing Cap	44	47796	Gear - Differential (t/l)
19	707069X	KIT - Outboard Bearing Spacer		701129X	KIT - Diff Plate & Disc (p/l)
20	706070X	KIT - Differential Bearing		2003819	KIT - Diff Plate & Disc (t/l)
21	708035(6)	PKG - Differential Bearing Shim	45	-(4)	Disc - Differential Dished
22	-(1)	Case - Differential (std)	46	-(4)	Plate - Diff Pressure
			47	-(4)	Disc - Diff Clutch
			48	47800	Thrustwasher - Pinion Diff (t/l)

(1) See "Bill of Material Table" on next page

(2) See "Variable Parts Table" within this section

(3) Contact Vehicle Manufacturer

(4) Not Sold Separately

(6) See Shim Table in the back of this catalog

(9) NOTE: When replacing a model 80/286 Power-Lok component or case assembly, the complete Power-Lok case assembly or component must be replaced with a Track-Lok case assembly. The only Power-Lok component currently available is disc and plate kit 701129X.

# Chrysler/Dodge 80/286 Rear Bill of Material Table

Axle			Axle Kits				Shaft & Joint Assy.	
Bill of Material	Diff. Type	Ratio	Ring Gear & Pinion Kit <sup>(7)</sup>	Differential			Right Hand Shaft Assy.	Left Hand Shaft Assy.
				Case Assy. Kit <sup>(8)</sup>	Case Kit	Inner Parts Kit		
<b>1999 D2500 w/ABS</b>								
606150-1	Standard	3.54	708026-1	708027	708028	707063X	45553-1	45553-1
606150-2	Trac Lok	3.54	708026-1	2011842(9)	708055(9)	2003857(9)	45553-1	45553-1
606150-3	Standard	4.10	708026-2	708031	708032	707063X	45553-1	45553-1
606150-4	Trac Lok	4.10	708026-2	2011841(9)	708053(9)	2003857(9)	45553-1	45553-1
<b>1999 D3500 w/ABS</b>								
606152-1	Standard	3.54	708026-1	708027	708028	707063X	45553-2	45553-2
606152-2	Trac Lok	3.54	708026-1	2011842(9)	708055(9)	2003857(9)	45553-2	45553-2
606152-3	Standard	4.10	708026-2	708031	708032	707063X	45553-2	45553-2
606152-4	Trac Lok	4.10	708026-2	2011841(9)	708053(9)	2003857(9)	45553-2	45553-2
<b>1999 D/W3500 w/ABS</b>								
606154-1	Standard	3.54	708026-1	708027	708028	707063X	45553-3	45553-3
606154-2	Trac Lok	3.54	708026-1	2011842(9)	708055(9)	2003857(9)	45553-3	45553-3
606154-3	Standard	4.10	708026-2	708031	708032	707063X	45553-3	45553-3
606154-4	Trac Lok	4.10	708026-2	2011841(9)	708053(9)	2003857(9)	45553-3	45553-3
<b>1999 W2500</b>								
606151-1	Standard	3.54	708026-1	708027	708028	707063X	45553-1	45553-1
606151-2	Trac Lok	3.54	708026-1	2011842(9)	708055(9)	2003857(9)	45553-1	45553-1
606151-3	Standard	4.10	708026-2	708031	708032	707063X	45553-1	45553-1
606151-4	Trac Lok	4.10	708026-2	2011841(9)	708053(9)	2003857(9)	45553-1	45553-1
<b>1999 W3500</b>								
606153-1	Standard	3.54	708026-1	708027	708028	707063X	45553-2	45553-2
606153-2	Trac Lok	3.54	708026-1	2011842(9)	708055(9)	2003857(9)	45553-2	45553-2
606153-3	Standard	4.10	708026-2	708031	708032	707063X	45553-2	45553-2
606153-4	Trac Lok	4.10	708026-2	2011841(9)	708053(9)	2003857(9)	45553-2	45553-2
<b>2000 D2500 w/ABS</b>								
606114-1	Standard	3.54	708026-1	708027	708028	707063X	45553-1	45553-1
606114-2	Trac Lok	3.54	708026-1	2011842	708055	2003857	45553-1	45553-1
606114-3	Standard	4.10	708026-2	708031	708032	707063X	45553-1	45553-1
606114-4	Trac Lok	4.10	708026-2	2011841	708053	2003857	45553-1	45553-1
606243-1	Standard	3.54	708026-3	708027	708028	707063X	45553-1	45553-1
606243-2	Trac Lok	3.54	708026-3	2011842	708055	2003857	45553-1	45553-1
606243-3	Standard	4.10	708026-4	708031	708032	707063X	45553-1	45553-1
606243-4	Trac Lok	4.10	708026-4	2011841	708053	2003857	45553-1	45553-1
606545-1	Standard	3.54	708026-3	708027	708028	707063X	45553-1	45553-1
606545-2	Trac Lok	3.54	708026-3	2011842	708055	2003857	45553-1	45553-1
606545-3	Standard	4.10	708026-4	708031	708032	707063X	45553-1	45553-1

(7) See Ring Gear & Pinion Kits in XGI Catalog for ratio & tooth combinations.

(8) See Differential Case Assy Kits in XGI Catalog for spline data & ratios.

(9) NOTE: When replacing a model 80/286 Power-Lok component or case assembly, the complete Power-Lok case assembly or component must be replaced with a Track-Lok case assembly. The only Power-Lok component currently available is disc and plate kit 701129X.

# Chrysler/Dodge 80/286 Rear Bill of Material Table



Axle			Axle Kits				Shaft & Joint Assy.	
Bill of Material	Diff. Type	Ratio	Ring Gear & Pinion Kit <sup>(7)</sup>	Differential			Right Hand Shaft Assy.	Left Hand Shaft Assy.
				Case Assy. Kit <sup>(8)</sup>	Case Kit	Inner Parts Kit		
<b>2000 D3500 w/ABS</b>								
606112-1	Standard	3.54	708026-1	708027	708028	707063X	45553-2	45553-2
606112-2	Trac Lok	3.54	708026-1	2011842	708055	2003857	45553-2	45553-2
606112-3	Standard	4.10	708026-2	708031	708032	707063X	45553-2	45553-2
606112-4	Trac Lok	4.10	708026-2	2011841	708053	2003857	45553-2	45553-2
606245-1	Standard	3.54	708026-3	708027	708028	707063X	45553-2	45553-2
606245-2	Trac Lok	3.54	708026-3	2011842	708055	2003857	45553-2	45553-2
606245-3	Standard	4.10	708026-4	708031	708032	707063X	45553-2	45553-2
606245-4	Trac Lok	4.10	708026-4	2011841	708053	2003857	45553-2	45553-2
606547-1	Standard	3.54	708026-3	708027	708028	707063X	45553-2	45553-2
606547-2	Trac Lok	3.54	708026-3	2011842	708055	2003857	45553-2	45553-2
606547-3	Standard	4.10	708026-4	708031	708032	707063X	45553-2	45553-2
606547-4	Trac Lok	4.10	708026-4	2011841	708053	2003857	45553-2	45553-2
<b>2000 D/W3500 w/ABS</b>								
606113-1	Standard	3.54	708026-1	708027	708028	707063X	45553-3	45553-3
606113-2	Trac Lok	3.54	708026-1	2011842	708055	2003857	45553-3	45553-3
606113-3	Standard	4.10	708026-2	708031	708032	707063X	45553-3	45553-3
606113-4	Trac Lok	4.10	708026-2	2011841	708053	2003857	45553-3	45553-3
606247-1	Standard	3.54	708026-3	708027	708028	707063X	45553-3	45553-3
606247-2	Trac Lok	3.54	708026-3	2011842	708055	2003857	45553-3	45553-3
606247-3	Standard	4.10	708026-4	708031	708032	707063X	45553-3	45553-3
606247-4	Trac Lok	4.10	708026-4	2011841	708053	2003857	45553-3	45553-3
606549-1	Standard	3.54	708026-3	708027	708028	707063X	45553-3	45553-3
606549-2	Trac Lok	3.54	708026-3	2011842	708055	2003857	45553-3	45553-3
606549-3	Standard	4.10	708026-4	708031	708032	707063X	45553-3	45553-3
606549-4	Trac Lok	4.10	708026-4	2011841	708053	2003857	45553-3	45553-3
<b>2000 W2500</b>								
606115-1	Standard	3.54	708026-1	708027	708028	707063X	45553-1	45553-1
606115-2	Trac Lok	3.54	708026-1	2011842	708055	2003857	45553-1	45553-1
606115-3	Standard	4.10	708026-2	708031	708032	707063X	45553-1	45553-1
606115-4	Trac Lok	4.10	708026-2	2011841	708053	2003857	45553-1	45553-1
606244-1	Standard	3.54	708026-3	708027	708028	707063X	45553-1	45553-1
606244-2	Trac Lok	3.54	708026-3	2011842	708055	2003857	45553-1	45553-1
606244-3	Standard	4.10	708026-4	708031	708032	707063X	45553-1	45553-1
606244-4	Trac Lok	4.10	708026-4	2011841	708053	2003857	45553-1	45553-1
606546-1	Standard	3.54	708026-3	708027	708028	707063X	45553-1	45553-1
606546-2	Trac Lok	3.54	708026-3	2011842	708055	2003857	45553-1	45553-1
606546-3	Standard	4.10	708026-4	708031	708032	707063X	45553-1	45553-1
606546-4	Trac Lok	4.10	708026-4	2011841	708053	2003857	45553-1	45553-1

(7) See Ring Gear &amp; Pinion Kits in XGI Catalog for ratio &amp; tooth combinations.

(8) See Differential Case Assy Kits in XGI Catalog for spline data &amp; ratios.

# Chrysler/Dodge 80/286 Rear Bill of Material Table

Axle			Axle Kits				Shaft & Joint Assy.	
Bill of Material	Diff. Type	Ratio	Ring Gear & Pinion Kit <sup>(7)</sup>	Differential			Right Hand Shaft Assy.	Left Hand Shaft Assy.
				Case Assy. Kit <sup>(8)</sup>	Case Kit	Inner Parts Kit		
<b>2000 W3500</b>								
606111-1	Standard	3.54	708026-1	708027	708028	707063X	45553-2	45553-2
606111-2	Trac Lok	3.54	708026-1	2011842	708055	2003857	45553-2	45553-2
606111-3	Standard	4.10	708026-2	708031	708032	707063X	45553-2	45553-2
606111-4	Trac Lok	4.10	708026-2	2011841	708053	2003857	45553-2	45553-2
606246-1	Standard	3.54	708026-3	708027	708028	707063X	45553-2	45553-2
606246-2	Trac Lok	3.54	708026-3	2011842	708055	2003857	45553-2	45553-2
606246-3	Standard	4.10	708026-4	708031	708032	707063X	45553-2	45553-2
606246-4	Trac Lok	4.10	708026-4	2011841	708053	2003857	45553-2	45553-2
606548-1	Standard	3.54	708026-3	708027	708028	707063X	45553-2	45553-2
606548-2	Trac Lok	3.54	708026-3	2011842	708055	2003857	45553-2	45553-2
606548-3	Standard	4.10	708026-4	708031	708032	707063X	45553-2	45553-2
606548-4	Trac Lok	4.10	708026-4	2011841	708053	2003857	45553-2	45553-2
<b>2001 W2500</b>								
606272-1	Standard	3.54	708026-3	708027	708028	707063X	45553-1	45553-1
606272-2	Trac Lok	3.54	708026-3	2011842	708055	2003857	45553-1	45553-1
606272-3	Standard	4.10	708026-4	708031	708032	707063X	45553-1	45553-1
606272-4	Trac Lok	4.10	708026-4	2011841	708053	2003857	45553-1	45553-1
606710-1	Standard	3.54	708150-1	708027	708028	707063X	45553-1	45553-1
606710-2	Trac Lok	3.54	708150-1	2011842	708055	2003857	45553-1	45553-1
606710-3	Standard	4.10	708150-2	708031	708032	707063X	45553-1	45553-1
606710-4	Trac Lok	4.10	708150-2	2011841	708053	2003857	45553-1	45553-1
<b>2001 W3500</b>								
606268-1	Standard	3.54	708026-3	708027	708028	707063X	45553-2	45553-2
606268-2	Trac Lok	3.54	708026-3	2011842	708055	2003857	45553-2	45553-2
606268-3	Standard	4.10	708026-4	708031	708032	707063X	45553-2	45553-2
606268-4	Trac Lok	4.10	708026-4	2011841	708053	2003857	45553-2	45553-2
606712-1	Standard	3.54	708150-1	708027	708028	707063X	45553-2	45553-2
606712-2	Trac Lok	3.54	708150-1	2011842	708055	2003857	45553-2	45553-2
606712-3	Standard	4.10	708150-2	708031	708032	707063X	45553-2	45553-2
606712-4	Trac Lok	4.10	708150-2	2011841	708053	2003857	45553-2	45553-2
<b>2001 D2500 w/ABS</b>								
606271-1	Standard	3.54	708026-3	708027	708028	707063X	45553-1	45553-1
606271-2	Trac Lok	3.54	708026-3	2011842	708055	2003857	45553-1	45553-1
606271-3	Standard	4.10	708026-4	708031	708032	707063X	45553-1	45553-1
606271-4	Trac Lok	4.10	708026-4	2011841	708053	2003857	45553-1	45553-1
606709-1	Standard	3.54	708150-1	708027	708028	707063X	45553-1	45553-1
606709-2	Trac Lok	3.54	708150-1	2011842	708055	2003857	45553-1	45553-1
606709-3	Standard	4.10	708150-2	708031	708032	707063X	45553-1	45553-1
606709-4	Trac Lok	4.10	708150-2	2011841	708053	2003857	45553-1	45553-1

(7) See Ring Gear & Pinion Kits in XGI Catalog for ratio & tooth combinations.

(8) See Differential Case Assy Kits in XGI Catalog for spline data & ratios.

# Chrysler/Dodge 80/286 Rear Bill of Material Table



Axle			Axle Kits				Shaft & Joint Assy.	
Bill of Material	Diff. Type	Ratio	Ring Gear & Pinion Kit <sup>(7)</sup>	Differential			Right Hand Shaft Assy.	Left Hand Shaft Assy.
				Case Assy. Kit <sup>(8)</sup>	Case Kit	Inner Parts Kit		
<b>2001 D3500 w/ABS</b>								
606269-1	Standard	3.54	708026-3	708027	708028	707063X	45553-2	45553-2
606269-2	Trac Lok	3.54	708026-3	2011842	708055	2003857	45553-2	45553-2
606269-3	Standard	4.10	708026-4	708031	708032	707063X	45553-2	45553-2
606269-4	Trac Lok	4.10	708026-4	2011841	708053	2003857	45553-2	45553-2
606711-1	Standard	3.54	708150-1	708027	708028	707063X	45553-2	45553-2
606711-2	Trac Lok	3.54	708150-1	2011842	708055	2003857	45553-2	45553-2
606711-3	Standard	4.10	708150-2	708031	708032	707063X	45553-2	45553-2
606711-4	Trac Lok	4.10	708150-2	2011841	708053	2003857	45553-2	45553-2
<b>2001 D/W3500 w/ABS</b>								
606270-1	Standard	3.54	708026-3	708027	708028	707063X	45553-3	45553-3
606270-2	Trac Lok	3.54	708026-3	2011842	708055	2003857	45553-3	45553-3
606270-3	Standard	4.10	708026-4	708031	708032	707063X	45553-3	45553-3
606270-4	Trac Lok	4.10	708026-4	2011841	708053	2003857	45553-3	45553-3
606713-1	Standard	3.54	708150-1	708027	708028	707063X	45553-3	45553-3
606713-2	Trac Lok	3.54	708150-1	2011842	708055	2003857	45553-3	45553-3
606713-3	Standard	4.10	708150-2	708031	708032	707063X	45553-3	45553-3
606713-4	Trac Lok	4.10	708150-2	2011841	708053	2003857	45553-3	45553-3

(7) See Ring Gear &amp; Pinion Kits in XGI Catalog for ratio &amp; tooth combinations.

(8) See Differential Case Assy Kits in XGI Catalog for spline data &amp; ratios.

# Chrysler/Dodge 80/286 Rear Variable Parts Listing

Kits & Parts - Use With All Applications							
Description & Item Number (Refer to the "Exploded View" at the front of this section)			Bills of Material				
			606111	606112 606113	606114	606115	606150
1	Seal - Pinion Oil	8	49531	49531	49531	49531	43504
2	Seal - Deflector	9	49530	49530	49530	49530	42432
3	Seal - V-Ring	9A	49532	49532	49532	49532	-
4	End Yoke Assembly (inc 9)	10	3-4-13301-1	3-4-13301-1	3-4-9931-1	3-4-9931-1	3-4-9931-1
5	KIT - Carrier Cover	-	707231X	707329X	707329X	707231X	707329X
6	Carrier Cover	13	42434	45559	45559	42434	45559
7	Bolt - Carrier Cover	15	34822	34822	34822	34822	47508-1
8	Seal - Inner Wheel	31	35256	35256	43146	43146	47507
			<b>606151</b>	<b>606152</b>	<b>606153</b>	<b>606154</b>	<b>606243</b>
1	Seal - Pinion Oil	8	43504	43504	43504	43504	50168
2	Seal - Deflector	9	42432	42432	42432	42432	49530
3	Seal - V-Ring	9A	-	-	-	-	49532
4	End Yoke Assembly (inc 9)	10	3-4-9931-1	3-4-13301-1	3-4-13301-1	3-4-13301-1	3-4-14371-1
5	KIT - Carrier Cover	-	707231X	707329X	707231X	707329X	707329X
6	Carrier Cover	13	42434	45559	42434	45559	45559
7	Bolt - Carrier Cover	15	47508-1	47508-1	47508-1	47508-1	34822
8	Seal - Inner Wheel	31	47507	35256	35256	35256	43146
			<b>606244</b>	<b>606245</b>	<b>606246</b>	<b>606247</b>	<b>606268</b>
1	Seal - Pinion Oil	8	50168	50168	50168	50168	50168
2	Seal - Deflector	9	49530	49530	49530	49530	49530
3	Seal - V-Ring	9A	49532	49532	49532	49532	49532
4	End Yoke Assembly (inc 9)	10	3-4-9931-1	3-4-13301-1	3-4-13301-1	3-4-13301-1	3-4-13301-1
5	KIT - Carrier Cover	-	707231X	707329X	707231X	707329X	707231X
6	Carrier Cover	13	42434	45559	42434	45559	42434
7	Bolt - Carrier Cover	15	34822	34822	34822	34822	34822
8	Seal - Inner Wheel	31	43146	35256	35256	35256	35256
			<b>606269</b>	<b>606270</b>	<b>606271</b>	<b>606272</b>	<b>606545</b>
1	Seal - Pinion Oil	8	50168	50168	50168	50168	50168
2	Seal - Deflector	9	49530	49530	49530	49530	49530
3	Seal - V-Ring	9A	49532	49532	49532	49532	49532
4	End Yoke Assembly (inc 9)	10	3-4-13301-1	3-4-13301-1	3-4-14371-1	3-4-14371-1	3-4-14371-1
5	KIT - Carrier Cover	-	707329X	707329X	707329X	707231X	707329X
6	Carrier Cover	13	45559	45559	45559	42434	45559
7	Bolt - Carrier Cover	15	34822	34822	34822	34822	47508-1
8	Seal - Inner Wheel	31	35256	35256	43146	43146	43146

# Chrysler/Dodge 80/286 Rear Variable Parts Listing



Kits & Parts - Use With All Applications							
Description & Item Number (Refer to "Exploded View" at the front of this section)			Bills of Material				
			606546	606547	606548	606549	606709
1	Seal - Pinion Oil	8	50168	50168	50168	50168	50563
2	Seal - Deflector	9	49530	49530	49530	49530	49530
3	Seal - V-Ring	9A	49532	49532	49532	49532	49532
4	End Yoke Assembly (inc 9)	10	3-4-14371-1	3-4-13301-1	3-4-13301-1	3-4-13301-1	3-4-14371-1
5	KIT - Carrier Cover	-	707231X	707329X	707231X	707329X	707329X
6	Carrier Cover	13	42434	45559	42434	45559	45559
7	Bolt - Carrier Cover	15	47508-1	47508-1	47508-1	47508-1	47508-1
8	Seal - Inner Wheel	31	43146	35256	35256	35256	43146
			<b>606710</b>	<b>606711</b>	<b>606712</b>	<b>606713</b>	
1	Seal - Pinion Oil	8	50563	50563	50563	50563	
2	Seal - Deflector	9	49530	49530	49530	49530	
3	Seal - V-Ring	9A	49532	49532	49532	49532	
4	End Yoke Assembly (inc 9)	10	3-4-14371-1	3-4-13301-1	3-4-13301-1	3-4-13301-1	
5	KIT - Carrier Cover	-	707231X	707329X	707231X	707329X	
6	Carrier Cover	13	42434	45559	42434	45559	
7	Bolt - Carrier Cover	15	47508-1	47508-1	47508-1	47508-1	
8	Seal - Inner Wheel	31	43146	35256	35256	35256	

Model 70 / 276		
Part Number	Nominal	
	MM	Inch
<b>47520</b>		
47520-155	1.55	0.061
47520-152	1.52	0.060
47520-150	1.50	0.059
47520-147	1.47	0.058
47520-145	1.45	0.057
47520-142	1.42	0.056
47520-140	1.40	0.055
47520-137	1.37	0.054
47520-135	1.35	0.053
47520-132	1.32	0.052

Model 70 / 276		
Part Number	Nominal	
	MM	Inch
<b>34801</b>		
34801-1	0.36	0.014
34801-2	0.41	0.016
34801-3	0.46	0.018
34801-4	0.51	0.020
34801-5	0.56	0.022
34801-6	0.76	0.030
34801-7	0.38	0.015
34801-8	0.53	0.021
34801-9	0.58	0.023
34801-10	0.25	0.010
34801-11	0.61	0.024

Model 70 / 276 & 80 / 286		
Part Number	Nominal	
	MM	Inch
<b>49541</b>		
49541-025	0.25	0.010
49541-028	0.25	0.011
49541-030	0.30	0.012
49541-033	0.33	0.013
49541-036	0.36	0.014
49541-038	0.38	0.015
49541-041	0.41	0.016
49541-043	0.43	0.017
49541-046	0.46	0.018
49541-048	0.48	0.019
49541-051	0.51	0.020
49541-102	1.02	0.040

Model 70: 708012  
 Model 80: 708035





**SPICER<sup>®</sup>**

*Drivetrain Products*

**Dana Holding Corporation**  
**Spicer Service Parts**  
PO Box 321  
Toledo, Ohio 43697-0321  
1-800-SAY-DANA (729-3262)

[www.spicerparts.com](http://www.spicerparts.com)

**Dana Holding Corporation**  
**Spicer Service Parts - Canada**  
5095 South Service Road  
Beamsville, Ontario LOR 1B0  
Tech Service: (905) 563-4991

**Dana Holding Corporation**  
**Spicer Service Parts - International**  
(419) 861-6325